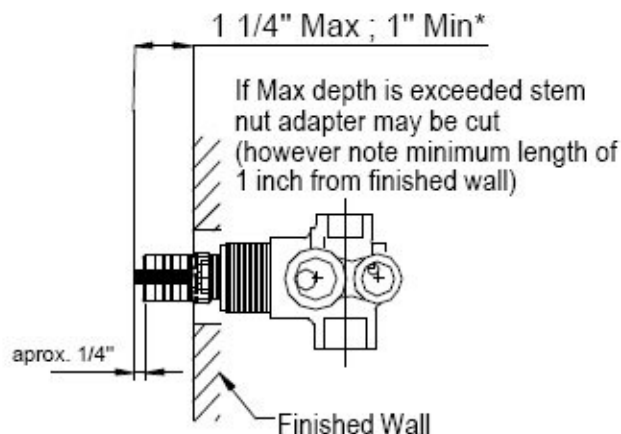


Distance to finished wall (from the center line of inlet)

Rough-in depth



*If necessary: Extension kit is available - 3491006

Attention Installer

If this application is using only 2 outlets simply join shower and auxiliary outlets together by teeing the one line into them