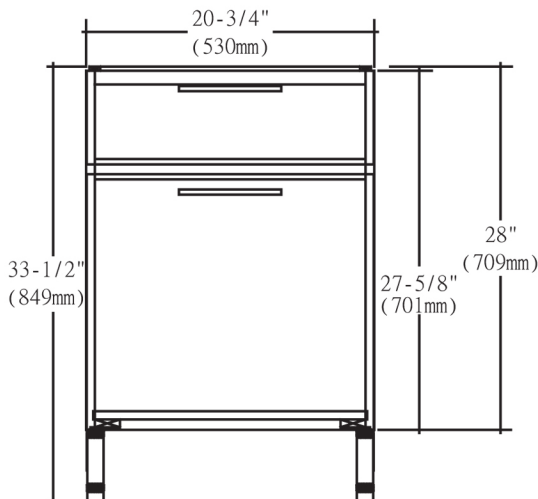
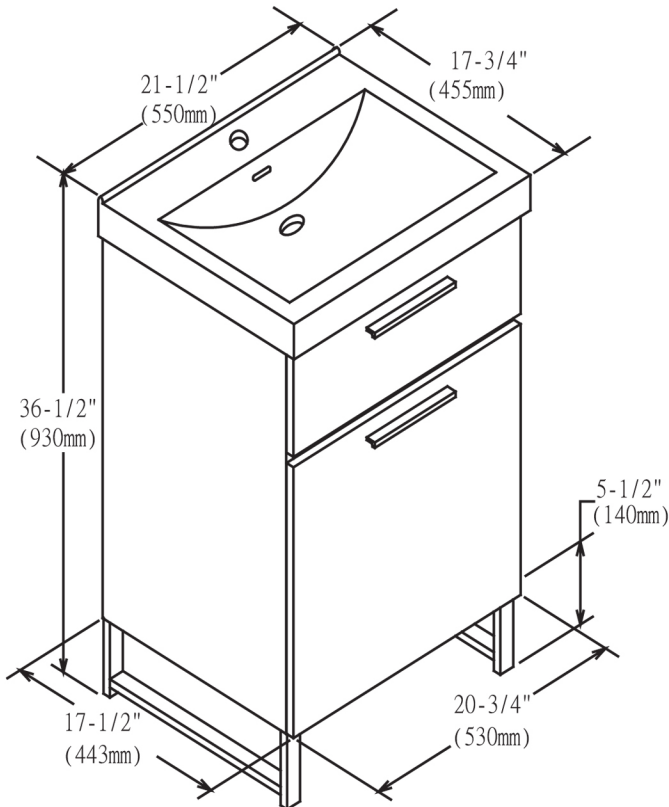


# 176-V21

## 21" Vanity & Sink

Please see S-11021W1 for sink dimension



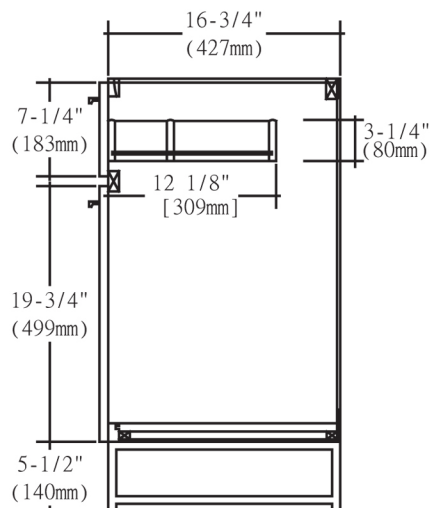
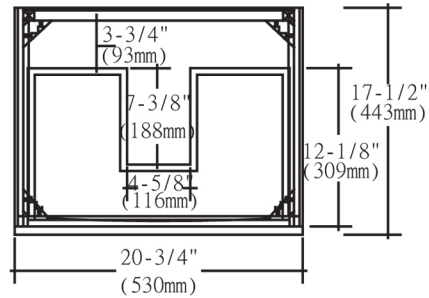
### SPECIFICATION SHEET

#### Features

- Materials: Poplar solids with Teak engineered wood veneers
- Hinges: Fully concealed, soft closing
- Doors: 1 (Hinge-right)
- Glides: Soft closing
- Drawers: 1
- Drawer Boxes: 1/2" solid pine, four sided English dovetail
- Hardware (finish): Polished chrome
- Hardware drill: 6-1/4"
- Back panel: Fully covered
- Side Panels: 5/8" MDF with Teak engineered wood veneers
- Includes: Sink (1) + Metal feet (2) with polished chrome

#### Colors/ Finish:

176-Ash Blonde



Date: 2012/03/12