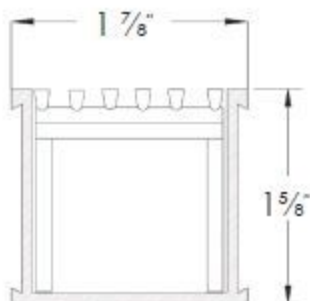
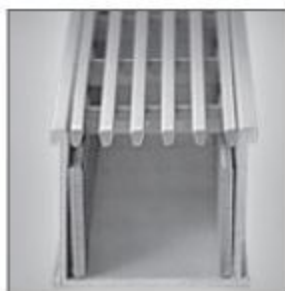


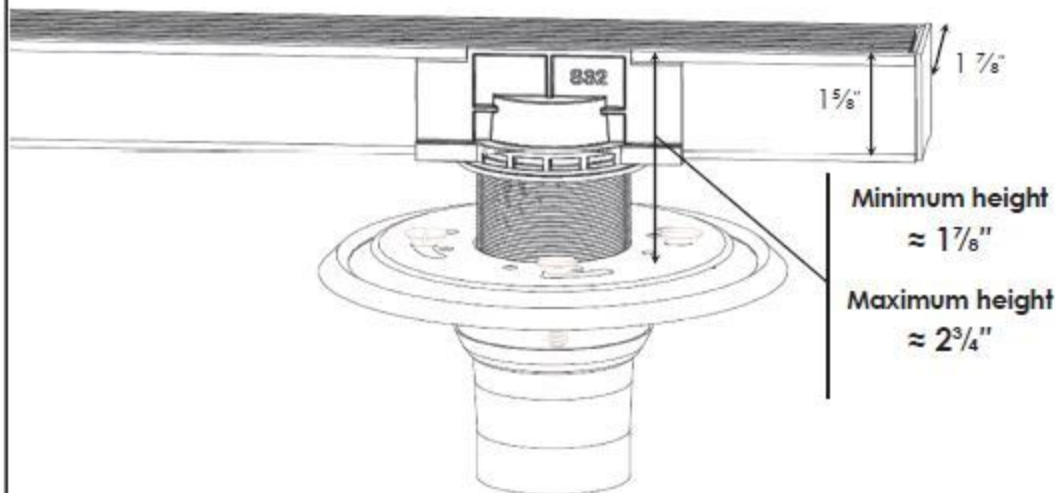
AG 38

Specification



(overall dimensions includes channel)

Grate lengths $47\frac{1}{2}$ " and $59\frac{1}{2}$ "
(Add multiples for longer lengths)



Clamp down drain is not supplied by Infinity Drain