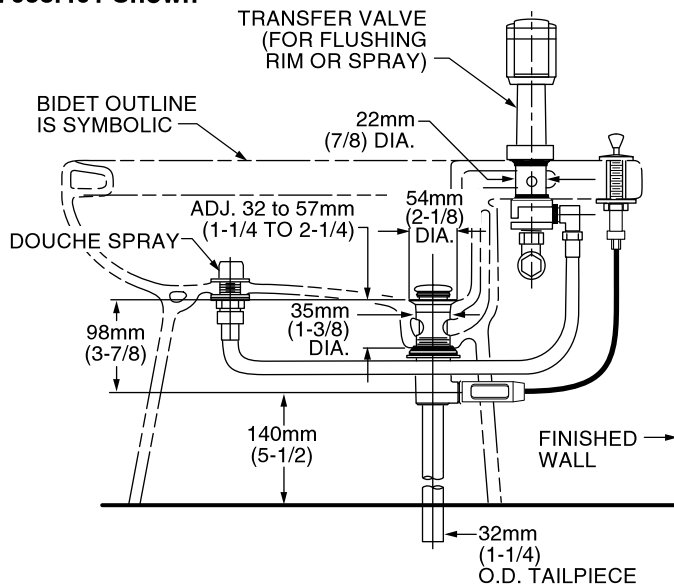
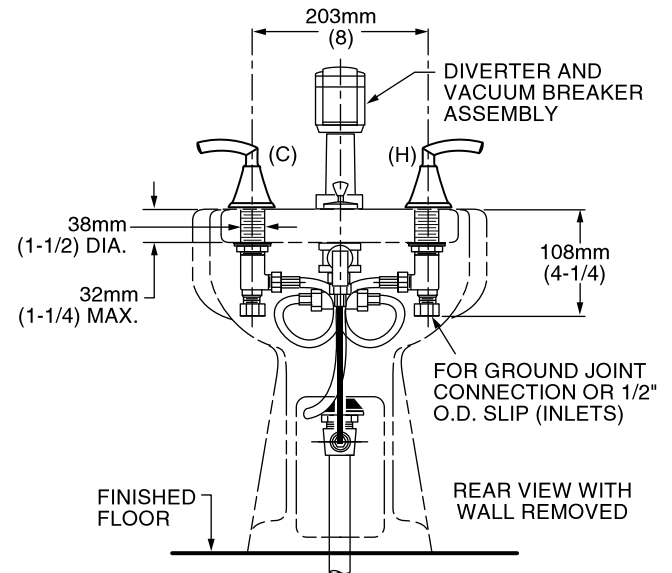


7038.401 Shown



MODEL NUMBER:

- ☐ **7038.401 Fixture-Mounted Bidet Fitting**
Vacuum breaker. Metal Speed Connect™ Pop-up drain. Metal lever handles.
- ☐ **7038.400 Fixture-Mounted Bidet Fitting**
Less vacuum breaker. Metal Speed Connect™ Pop-up drain. Metal lever handles.



GENERAL DESCRIPTION:

Cast brass valve bodies. 1/4 turn washerless ceramic disc valve cartridges. Diverter controls water flow between douche spray and flushing rim. Douche spray has built-in spray height adjustment. 20" (500mm) long flexible stainless steel drain cable is pre-assembled to lift rod assembly. Metal Speed Connect™ drain body with 1-1/4" (32mm) tail piece.

PRODUCT FEATURES:

Brass Construction: Durable - Excellent in high use applications. Ideal for prolonged contact with water.

Ceramic Disc Valve Cartridges: Assures a lifetime of smooth handle operation and drip-free performance.

Exclusive Speed Connect Metal Drain:

- Fewer Parts - installs in less time.
- No adjustments required - seals the first time, every time.
- Flexible stainless steel cable - installs effortlessly in tight spaces.

Choice of Finishes: Available in polished Chrome (002) and Satin Nickel (295) finishes.

SUGGESTED SPECIFICATION:

Two handle deck-mount bidet fitting with matching pop-up drain shall feature solid brass construction. Shall also feature 1/4 turn washerless ceramic disc valve cartridges. Shall also feature a metal drain body with stainless steel cable actuation. Fitting shall be American Standard Model #7038.40__.