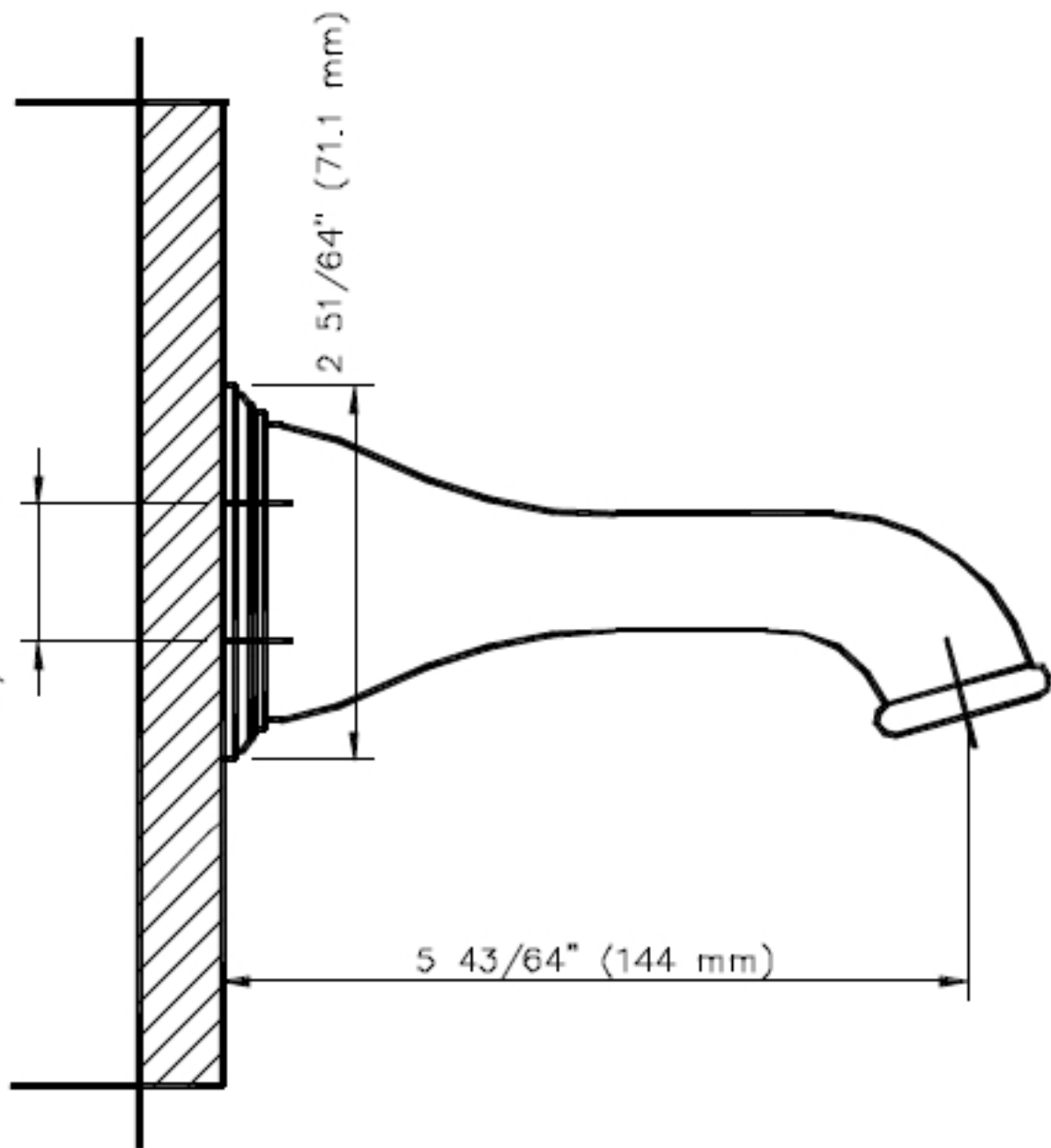


$3/4'' - 14 \text{ NPT}$



$2 \frac{51}{64}''$  (71.1 mm)

$5 \frac{43}{64}''$  (144 mm)