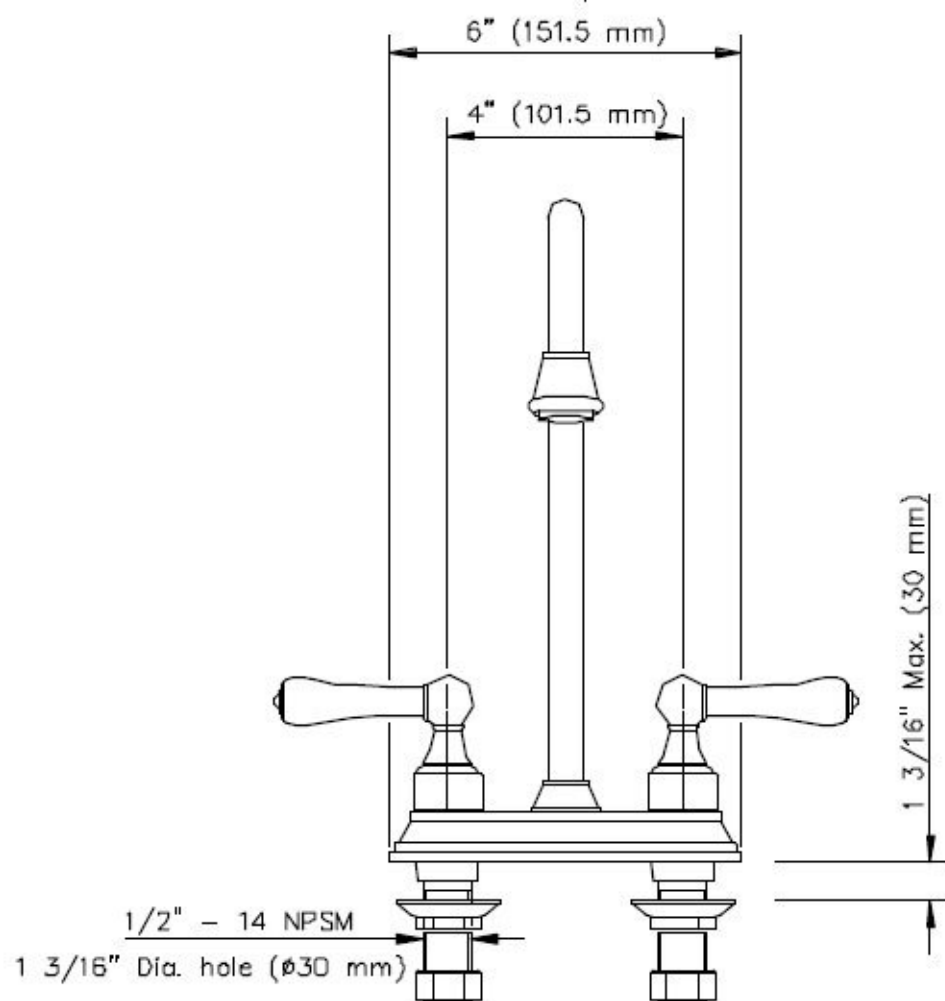


Center set: Cast & tubular brass, no swivel.

Trim: Hot forged brass.
Three handles available

Valve: 1/2" Ceramic disc valve cartridge.
1,000,000 Tested cycles.
1/4 Turn positive on/off.
Non-rising spindle.



Inlets: Sized for either coupling or sweat connections

Pressure: Maximum (tested): 200 psi (14.1 kg/cm).
Recommended (flowing): 15-75 psi (1.1-5.3 kg/cm)

Waste: 1 1/4" Pop-up waste.

Flow rates: 2.2 GPM @ 60psi (flowing); (8.4 l/min. @ 4.2 kg/cm (flowing))