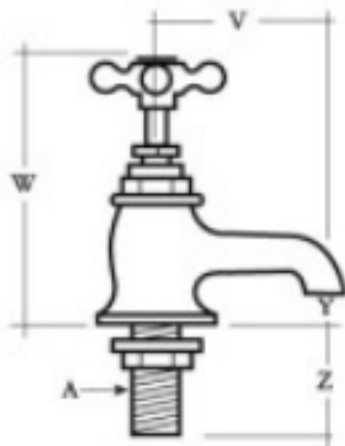


# GA or R PILLAR TAPS



Flange hole  
(A)

	1/2	1/2	1/2	3/4
	2123	2124	2125	2134
V	75 (3")	100 (4")	125 (5")	100 (4")
W	130 (5 1/8")	130 (5 1/8")	120 (4 3/4")	158 (6 1/4")
Y	20 (3/4")	20 (3/4")	5 (3/16")	25 (1")
Z	63 (2 1/2")	63 (2 1/2")	100 (4")	75 (3")
Flange hole (A)	48 (1 7/8")	48 (1 7/8")	48 (1 7/8")	53 (2 1/8")
	30 (1 3/16")	30 (1 3/16")	30 (1 3/16")	35 (1 3/8")

DIA