



ALTMANS™

1/2 Inch Pressure Balanced Tub/Shower Set Less HAFS

ROCHDALE

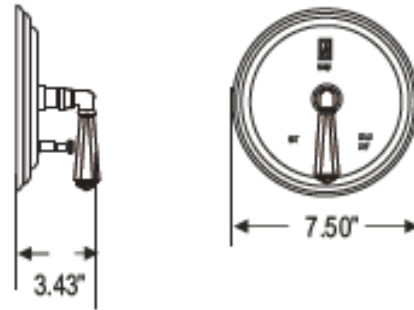
S52DST

Handles:L19



Codes and Standards

- ASME A112.18.1/CSA B125.1-11
- IAPMO US AND CANADA
- ADA



Flow Rate: 5.8GPM@50PSI

ALTMANS RESERVES THE RIGHT TO
MODIFY AND CHANGE SPECIFICATIONS
AT ANY TIME. PLEASE VERIFY DIMEN-
SIONS PRIOR TO INSTALLATION

Color/Finishes

- Polished Chrome, PVD Satin Nickel
- Refer to pricelist for other finishes.

Features and Benefits

- Includes Valve 0S36TPR
- Brass Construction
- 1/2 inch valve
- Less Head, Arm, Flange, And Spout
- Available in All Altmans Finishes

1201 W. Francisco St. • Torrance, CA • 90502

800-678-6463 • 310-559-4093 • Fax: 310-559-4094 • www.altmansproducts.com