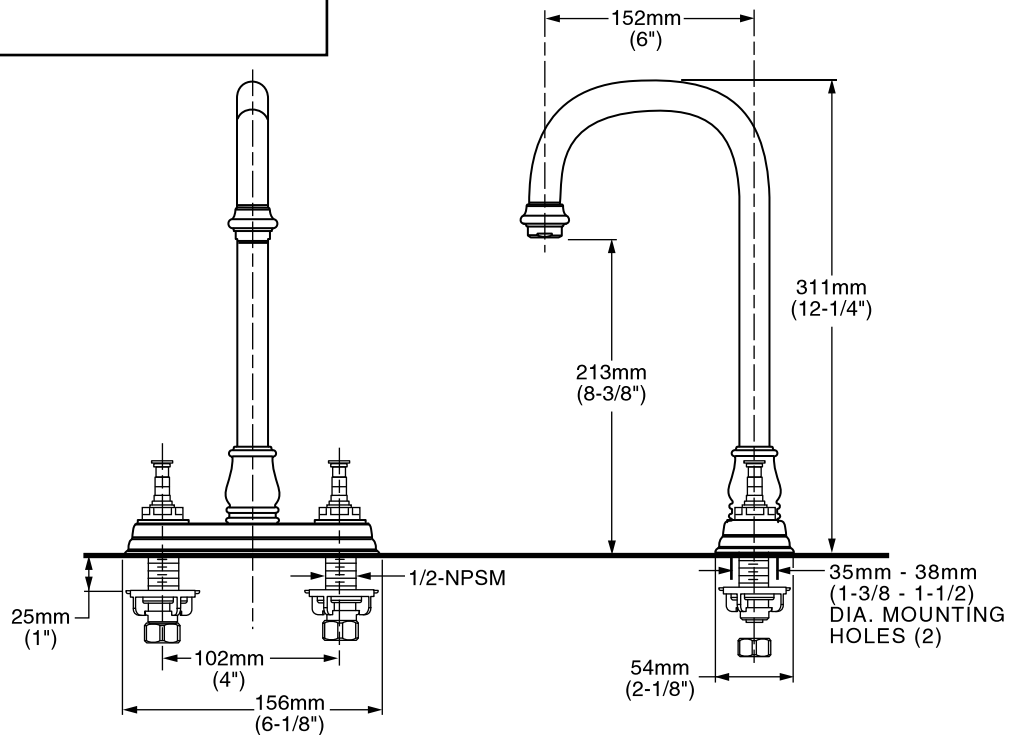




2770.712 Shown

**MODEL NUMBER:**

- 2770.712 Centerset Bar Faucet**  
Porcelain lever handles.
- 2770.732 Centerset Bar Faucet**  
Metal lever handles.



**GENERAL DESCRIPTION:**

Durable brass construction. 1/4 turn washerless ceramic disc valve cartridges - reversible for use with either lever or cross handles. One-half inch male inlet shanks with brass coupling nuts. Brass 22mm (7/8") diameter swivel spout. Brass escutcheon plate (escutcheon size 6-1/8" x 2-1/8"). 2.2 gpm/8.3 L/min. maximum flow rate.

**PRODUCT FEATURES:**

**Brass Construction & Cast Brass Waterway:** Durable - Excellent in high use applications. Ideal for prolonged contact with water.

**Ceramic Disc Valve Cartridges:** Assures a lifetime of drip-free performance.

**Larger Spout:** Increased spout height, reach and diameter.

**Low Lead:** Meets NSF Standard 61/Section 9 & Prop 65 lead requirements.

**Choice of finishes:** Available in a wide range of durable finishes.

**SUGGESTED SPECIFICATION:**

Two handle centerset bar sink faucet shall feature brass construction with all brass inlet shanks and coupling nuts. Shall also feature 1/4 turn washerless ceramic disc valve cartridges that are reversible for use with cross or lever handles. Fitting shall be American Standard Model # 2770.\_\_\_\_.\_\_\_\_.