

**CARLYLE
OVAL RESIN
SOAKING TUB**

Cat. No.
RTOVN70-OF



L: 70 1/2"
W: 33"
H: 19 1/4"

Water depth: 13-3/8" to overflow



Overflow Connection

The following is recommended for RTOVN soaking tubs:

- Faucets: part #7082 or 7088
- Use with Freestanding Bath Supplies: part #4502-PL
- Freestanding tub fillers: part #7901 or #7913

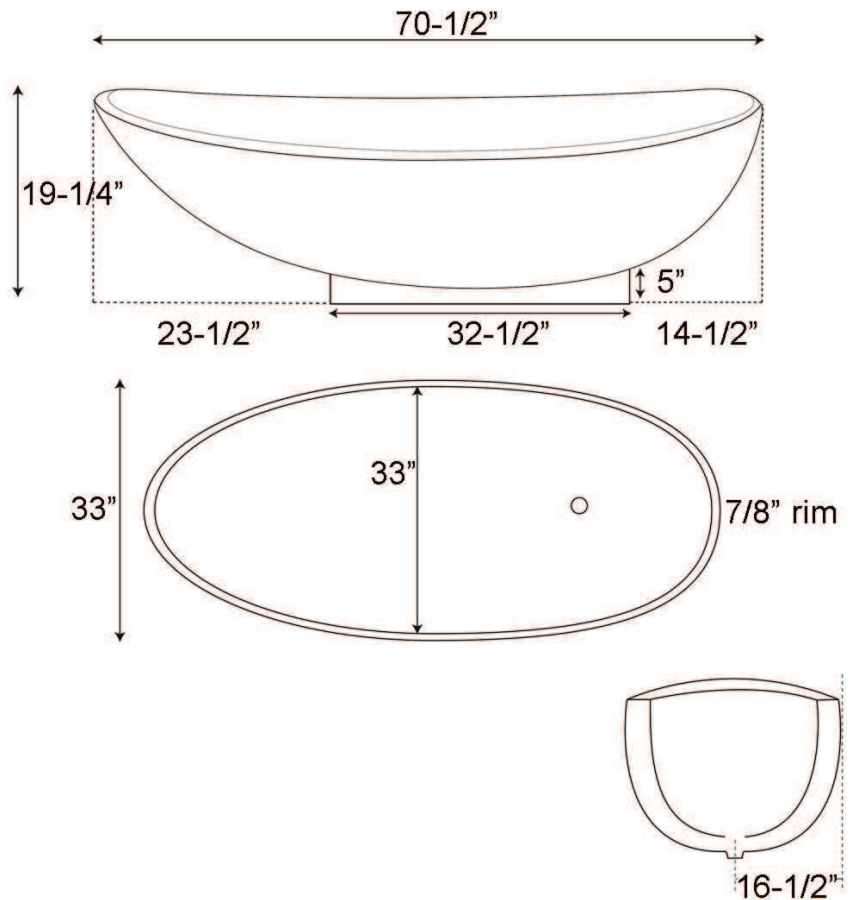
Gallon Capacity: 60 to overflow
Shipping Weight: 456 lbs.
Empty Weight: 231 lbs.
Filled Weight: 732 lbs.

Features:

- ▶ Made of poly-resin blend that is the same color throughout
- ▶ 7/8" thick at rim
- ▶ Exterior has easy care matte finish
- ▶ No faucet holes
- ▶ Has overflow slot with built-in drain channel
- ▶ Chrome drain included
- ▶ Tub is thoroughly inspected before shipment

Tub Colors:

WH White



Dimensions of fixture are nominal and specifications subject to change without notice.