



Type T (thermostatic) 1/2" external bar
TM77XX



Specifications

Descriptions

- 3/4" inlet female
- 1/2" male X 3/4" male elbow adaptor
- Thermostatic ceramic cartridge

Available colors

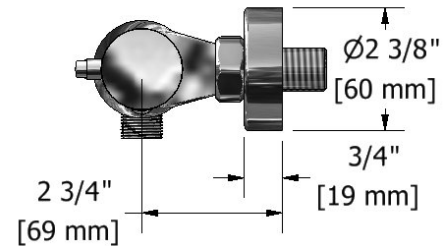
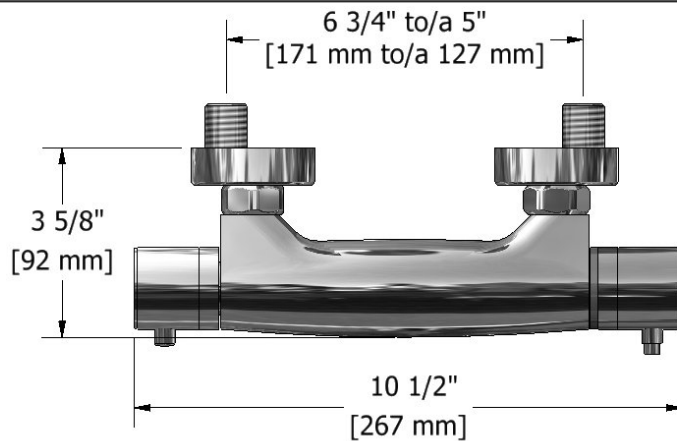
- C : Chrome

Cartridges

- 401-077 (Thermostatic)
- 401-177 (Volume control)

Certifications

- CSA B125.1
- ASME A112.18.1
- ASSE 1016
- CMR248 Approval



Sizes, models and finishes may differ from those presented.

Warranty

The Riobel inc. product carries a limited LIFETIME warranty on the finish Chrome, Gold (PVD), Brushed nickel (PVD), Night brushed (PVD), Polished nickel (PVD) and all working parts and is guaranteed from the initial date of purchase against all manufacturing defects. Other finished 1 year.

Customer Service

Ontario, West Canada : 888-287-5354 Quebec, Maritimes, United States : 866-473-8442

2014.05.05