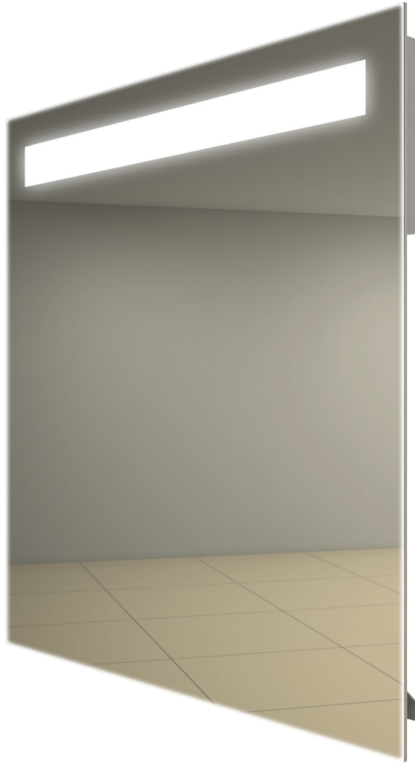


QUANTUM™ LIGHTED MIRROR

Residential Performance Specification



The Quantum™ Lighted Mirror combines a polished edge with a single stream of light radiating through frosted glass, for an urban and modern statement.

FEATURES

- Elife™- 8 Years extended lamp replacement cycle
- Energy Lite™-half the energy with equal light output*
- Natural light color ideal for makeup application
- HardCoat™ anti-corrosion mirror treatment
- Rust resistant powder coated metal construction
- Environmentally sustainable and energy efficient
- Proudly made in the USA
- Patent Pending
- Stainless steel hanger
- Welded Construction

LIGHTING

- Low-Mercury T5HO warm fluorescent (US Made)
- CRI 85
- CCT (K) 3000
- Average lamp life of 35,000 hours
- 50,000 cycle ballast

OPTIONS

- Diamond Clear™ extra white mirror
- Dimmable - Separate wall control required
- Defogger
- Add TV (See Quantum™ Lighted Mirror TV)

SAFETY

- Tested to UL/UL-C 1598 including section 16.23 (adhesive support test)
- International Certifications
- Safety backed mirror

THERE'S ONLY ONE ELECTRIC MIRROR™

Electric Mirror is the global leader in lighted mirrors and Mirror TV technology. With unparalleled customer service and amazing innovation, Electric Mirror is the standard of luxury for five-star hotels, upscale commercial projects and designer homes.

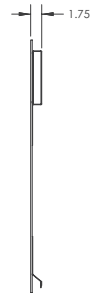
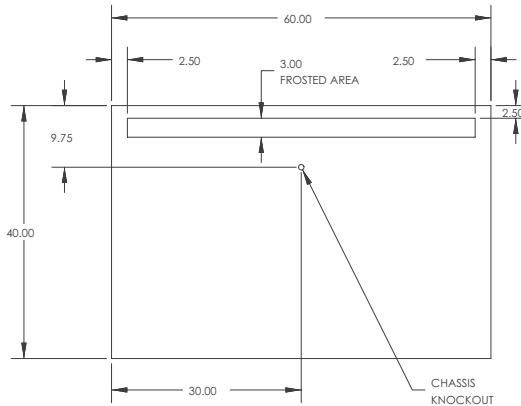
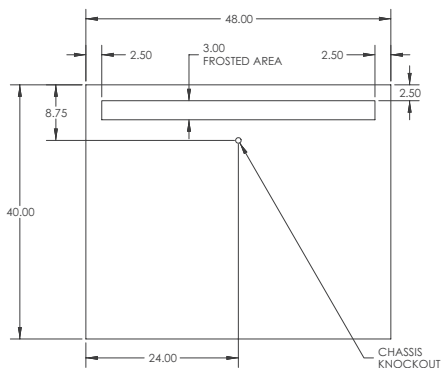
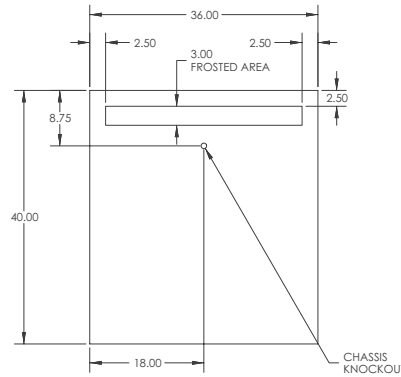
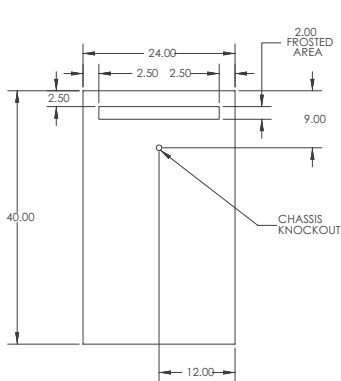
QUANTUM™ LIGHTED MIRROR

Residential Performance Specification

SPECIFICATION

- The top of the lighted mirror above the bathroom vanity should be a minimum of 6' 6" above the finished floor.
- Electrical connections made with MC cable brought through the chassis knockout, no electrical box required.
- Electrical power should be controlled by a light switch.
- Fixture should be mounted to wall studs to provide sufficient support. Mounting holes are provided in the chassis.

MODEL NUMBER	DIMENSIONS	POWER REQUIREMENTS	LAMPING
QUA-24.00x40.00	24" W x 40" H x 1.75" D 610mm W x 1016mm H x 44mm D	120 - 277 VAC, .20 - .09 Amps, 24W	1 x T5, 24W
QUA-36.00x40.00	36" W x 40" H x 1.75" D 914mm W x 1016mm H x 44mm D	110 - 277 VAC, .35 - .14 Amps, 39W	1 x T5HO, 39W
QUA-48.00x40.00	48" W x 40" H x 1.75" D 1219mm W x 1016mm H x 44mm D	110 - 277 VAC, .49 - .19 Amps, 54W	1 x T5HO, 54W
QUA-60.00x40.00	60" W x 40" H x 1.75" D 1524mm W x 1016mm H x 44mm D	110 - 277 VAC, .73 - .29 Amps, 80W	1 x T5HO, 80W



PROPRIETARY AND CONFIDENTIAL: The information contained in this specification is the sole property of Electric Mirror®. Any reproduction in part or in whole without written permission from Electric Mirror® is prohibited.

© 2012 ELECTRIC MIRROR®