



Specifications

½" 2 way thermostatic coaxial valve with service stops

VSTM23XX



Descriptions

- ½" male inlet NPT or sweat
- 2 outlets ½" males NPT or sweat
- Coaxial thermostatic cartridge with check valves
- Service stops
- Solid brass
- 4 positions (OFF, 1, 2, 1 and 2)

Available colors

- C : Chrome
- BN : Brushed nickel (PVD)

Flows

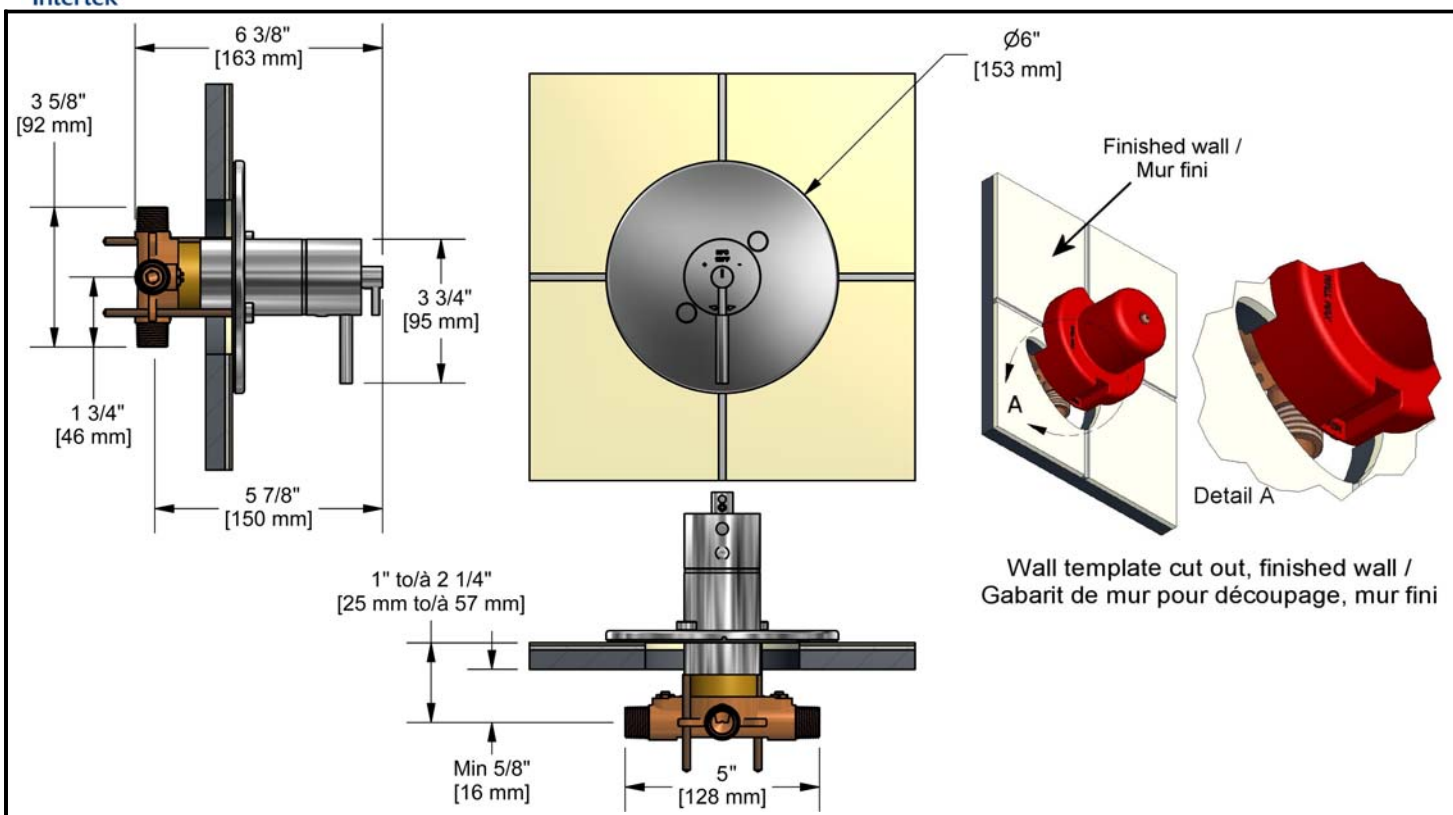
- Flow 30 L/min, 7.9 gpm (US) 60psi
- For use with shower heads rated at 7L/min (1.8 gpm) or higher

Cartridges

- 0913

Certifications

- ASME A112.18.1
- CSA B125.1
- ASSE 1016



Sizes, models and finishes may differ from those presented.

Warranty

The Riobel inc. product carries a limited LIFETIME warranty on the finish Chrome, Gold (PVD), Brushed nickel (PVD), Night brushed (PVD), Polished nickel (PVD) and all working parts and is guaranteed from the initial date of purchase against all manufacturing defects. Other finished 1 year.

Customer service

Ontario, West Canada : 888-287-5354 Quebec, Maritimes, United States : 866-473-8442