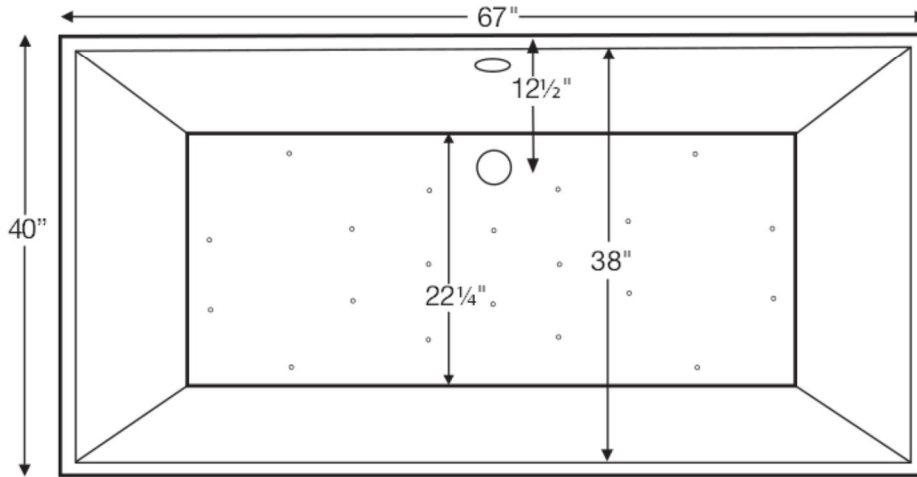




**Intarcia with Inverted Pedestal**  
**67" x 40" x 24.75"**

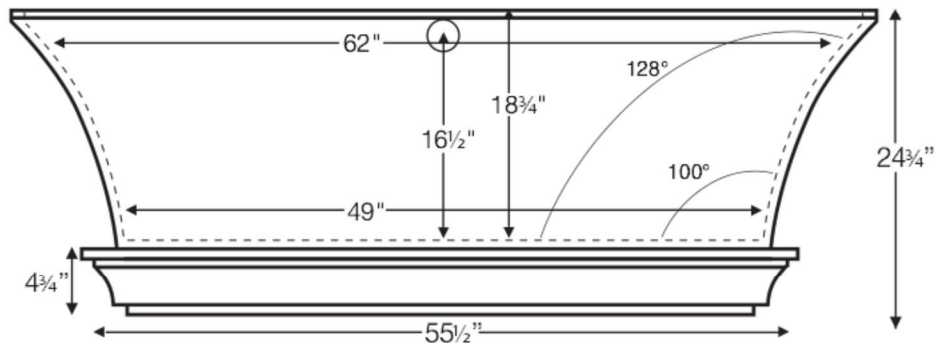
**Installation:**  
Freestanding

*may also be undermounted*



**SEE IMPORTANT ORDERING & INSTALLATION INFORMATION BELOW**

Shown above as an Air Bath.



**GENERAL SPECIFICATIONS:**

**Material** Engineered Solid Stone (ESS)  
**Soaker Weight** 290 lbs / 131 kg  
**Air Bath Weight** 320 lbs / 145 kg

NOTE: Filling this tub to the maximum may require an above average size or dedicated water heater.  
Not recommended as a tub / shower combination

**ELECTRICAL SPECIFICATIONS:**

**Required Electrical Service** 110 Volt  
**Air Bath** 1-15 amp GFCI

CSA Certified C/US; ANSI Z124.1

**IMPORTANT ORDERING & INSTALLATION INFORMATION:**

- Drain kits, bathroom table and air bath components (if applicable) are packaged inside the tub crate for delivery.
- Optional floor-mounted high-flow tub filler and teak tub tray ship via FedEx.
- For air baths: the blower and required check valve must be remote mounted. Check valve must be installed higher than the rim of the tub. The keypad is shipped loose and may be mounted on a nearby wall or decking. A waterproof remote control is also included.
- Tub is pre-drilled with an overflow, but can be specified without (see local codes).
- Requires use of a wall-mounted or freestanding tub filler.
- Measurements are  $\pm 1/2"$  and are subject to change without notice.
- Data herein supersedes all prior to publication date shown below.

See the "Boutique Collection Tubs Installation & Operation Manual" included with tub delivery or go to [mtibaths.com/support/installation\\_operation/manuals](http://mtibaths.com/support/installation_operation/manuals) for all the information necessary to install and operate the tub.

MTI's Customer Service Department is available Monday-Friday 8am-6pm EST at 800-783-8827 or [customerservice@mtibaths.com](mailto:customerservice@mtibaths.com) to answer any questions pertaining to ordering or installation.