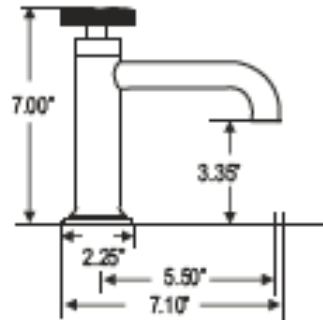




COLD TO HOT, NO VOLUME ADJUSTMENT

Codes and Standards

- ASME A112.18.1/CSA B125.1-11
- IAPMO US AND CANADA



ALTMANS RESERVES THE RIGHT TO
MODIFY AND CHANGE SPECIFICATIONS
AT ANY TIME. PLEASE VERIFY DIMEN-
SIONS PRIOR TO INSTALLATION

Color/Finishes

- Polished Chrome, PVD Satin Nickel
- Refer to pricelist for other finishes.

Features and Benefits

- Brass Construction
- Flexible Connections
- 240 degree Ceramic Disc Cartridges
- Includes 1/B3 Grid Drain