

**Features**

- Solid brass construction
- Brass valve bodies
- Quarter-turn washerless ceramic disc valve cartridges
- Two-valve, inlet/outlet flow control design
- ADA compliant traditional lever handles
- Double-pivot spout with aerated flow
- 4-9/16" (11.6 cm) spout height from wall inlet center
- 21-3/16" (53.8 cm) pivoting spout reach from inlet valve (c-c)
- 3-1/2" (8.9 cm) pivoting inlet valve offset (wall-center)
- For single hole, wall-mounted configurations

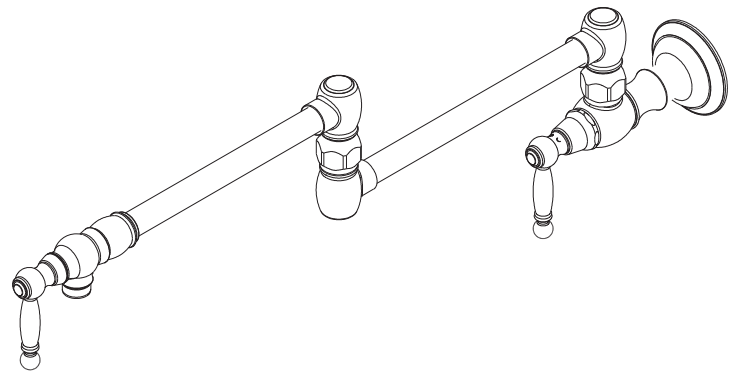
**Codes / Standards Compliance**

Meets or exceeds the following at date of manufacture:

- ASME A112.18.1/CSA B125.1
- IAPMO/cUPC
- IPC
- NSF 61
- ADA
- ICC/ANSI A117.1
- All applicable US Federal and State material regulations

**Wall-Mounted Pot-Filler Faucet**

**9482**



**Colors / Finishes**

- 10B: Oil Rubbed Bronze
- 15: Polished Nickel
- 15S: Satin Nickel
- 26: Polished Chrome
- Other: Refer to the Newport Brass catalog for additional color/finish options.

**Specified Model**

Model	Description	Colors / Finishes
9482	Wall-Mounted Pot-Filler Faucet	<input type="checkbox"/> 10B <input type="checkbox"/> 15 <input type="checkbox"/> 15S <input type="checkbox"/> 26 <input type="checkbox"/> Other

**Product Specification:**

Add "Color / Finish" suffix to Model number, below.

The Pot-Filler Faucet shall be made of solid brass construction. Faucet shall incorporate a double-pivot spout with aerated flow and a feature brass valve bodies with quarter-turn washerless ceramic disc valve cartridges. Pot-filler Faucet shall be a two-valve, inlet/outlet flow control design accommodating single-hole, wall-mounted configurations. Product shall incorporate a 4-9/16" (11.6 cm) spout height from wall inlet center and a 21-3/16" (53.8 cm) pivoting spout reach from inlet valve (c-c). Pot-Filler Faucet pivot axis (inlet valve center) offset shall be 3-1/2" (8.9 cm) (wall-center) . Faucet shall incorporate ADA compliant traditional lever handles. Pot-Filler Faucet shall be Newport Brass Model 9482/\_\_\_\_\_ .

# 9482

## Product Dimensions *(units are in inches)*

