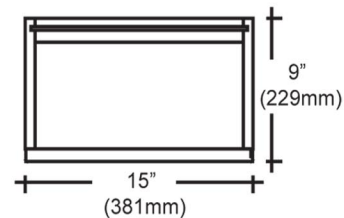
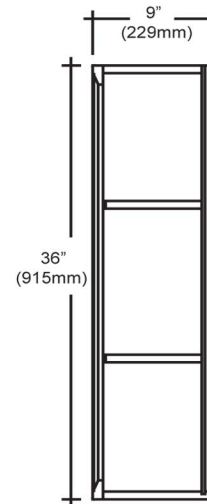
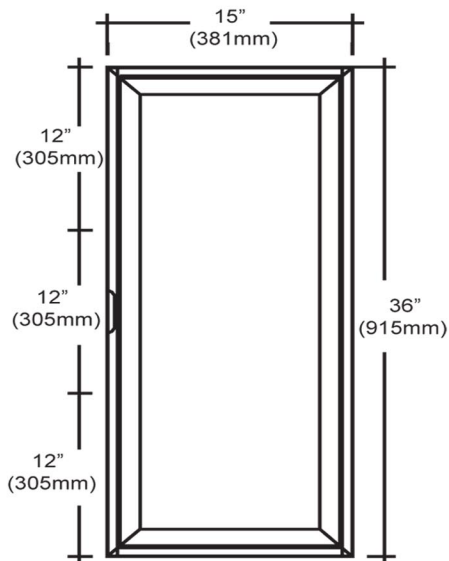
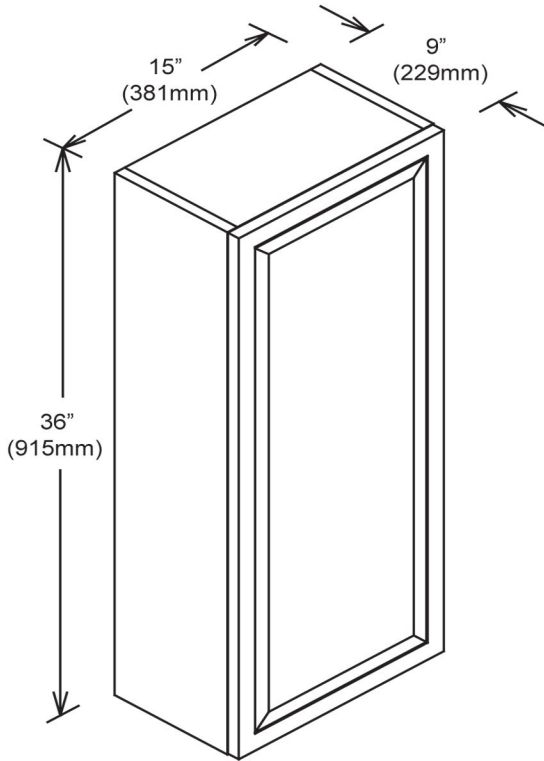


# 110-BV15

## 15" Wall Valet



### SPECIFICATION SHEET

#### Features

- Materials: Red Oak solids with Red Oak veneers
- Hinges: Fully concealed, soft closing
- Doors: 1
- Shelves: 2 (adjustable)
- Back panel: Fully covered
- Side panels: 5/8" PB with Red Oak veneers
- Mounting: Cleats

#### Colors / Finish

110-Espresso