

TRADITIONAL PULL DOWN FAUCET SPECS - 2 PIECE SUITE



Finish Shown - Tuscan Brass

Product Description

- Compatible with Reverse Osmosis filtration systems.
- Unique "PLP" positive lock holds spray head in place.
- Pre-positioned "Easy Pull" counterbalanced weight.
- Spray head extends 18" from spout.
- Toggle select spray or aerated stream.
- 1.75 gpm maximum flow rate with stream selected.
- Solid Brass or Stainless Steel construction.
- Single lever control hot/cold ceramic disk valve cartridge.
- Handle adjusts 45 degrees in either direction for clearance from backsplash.
- Braided connection hoses.
- Adjustable PTFE "Friction Lock" aids handle feel and prevents sag.
- 360 degree swivel spout.

Codes/Standards Applicable

Specified model meets or exceeds the following:

- ASME A112.18.1
- CSA B125.1
- NSF 61
- CALGreen
- AB 1953

Finishes Available

FINISHES AVAILABLE:

Almond - 01
 Antique Brass - AB
 Antique Bronze - ABZ
 Antique Copper - AC
 American Bronze - AMB
 Antique Pewter - AP
 Black - 06
 Black Nickel - BLN
 Black-Oil Rubbed Bronze - ORB
 Biscuit - 07
 Caribbean Bronze - CB
 Chocolate Bronze - CHB
 Chrome - CH

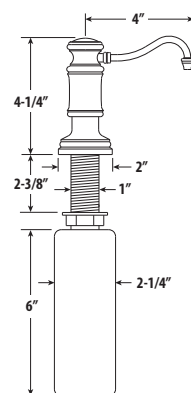
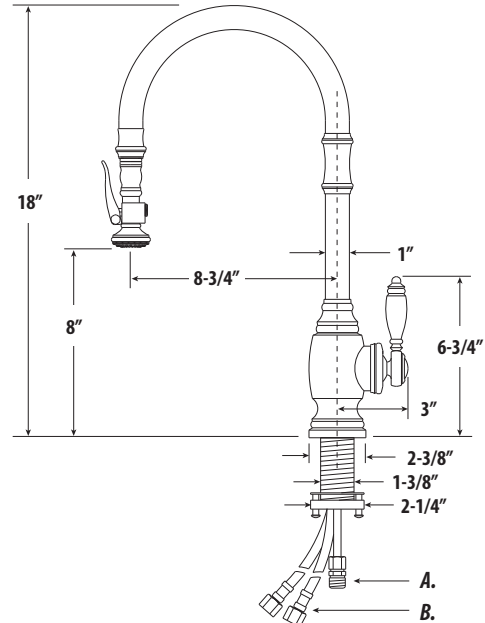
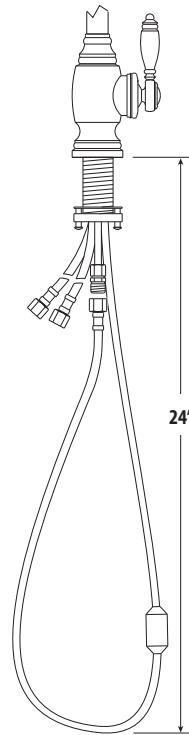
Distressed Antique Brass - DAB
 Distressed Antique Copper - DAC
 Distressed American Bronze - DAMB
 Distressed Antique Pewter - DAP
 Euro-White - EW
 Matte Black - MB
 Polished Brass - PB

Polished Copper - PC
 Polished Gold - PG
 Polished Nickel - PN
 Satin Chrome - SC
 Satin Gold - SG
 Satin Nickel - SN
 Stainless Steel - SS*

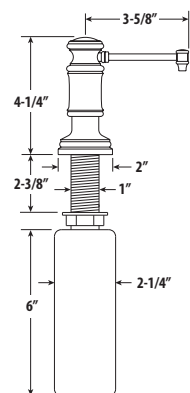
Tuscan Brass - TB
 Venetian Bronze - VB
 Weathered Brass - WB
 Weathered Copper - WC
 White - WT

- Max Counter Thickness 2-3/8"
- Recommended Install Hole Size 1-1/2"

- A. Spray Connection with 3/8" Compression Fitting
 B. Supply Hoses - 20" Long with 3/8" Compression Fittings



STRAIGHT OR HOOK SPOUT



DIMENSIONS MAY VARY AND ARE SUBJECT TO CHANGE. NO RESPONSIBILITY IS ASSUMED FOR USE OF SUPERCEDED OR VOIDED DATA