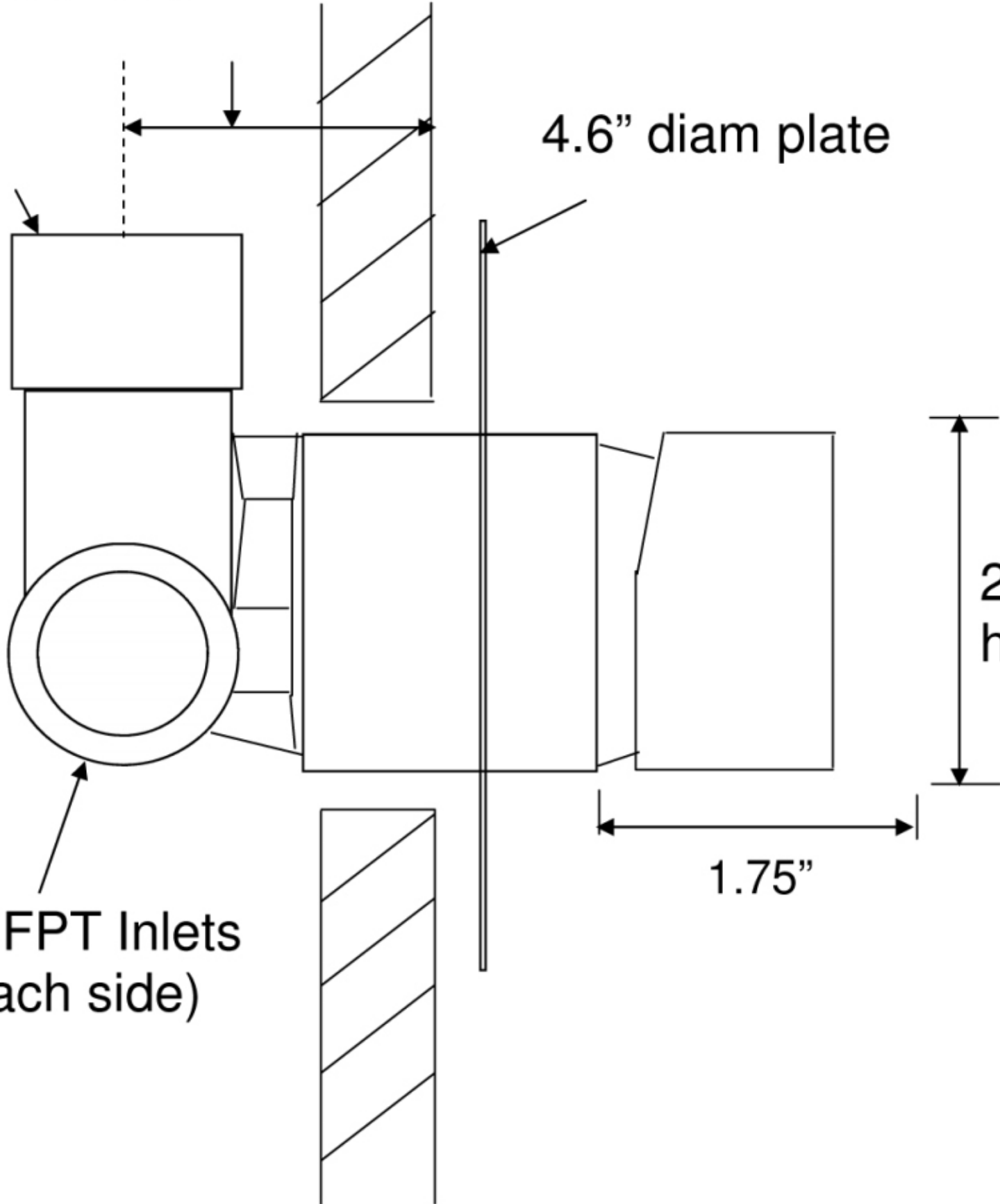


Centerline of pipe work  
to finished wall  
Min 1.5" Max 2.25"

3/4" FPT

4.6" diam plate



3/4" FPT Inlets  
(1 each side)

2" diam.  
handle

1.75"