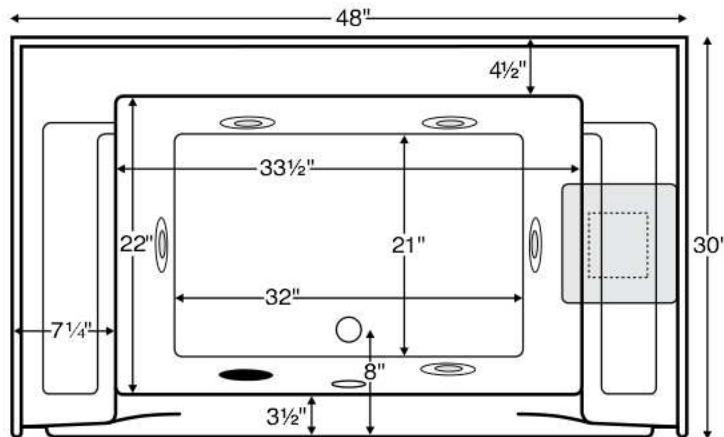


# Jentle Pet® 1

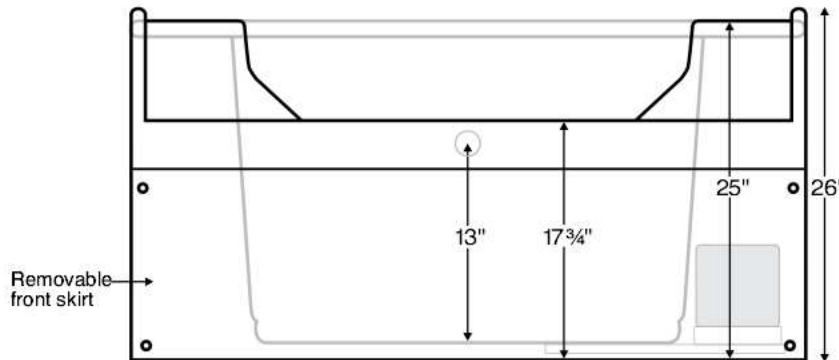
## Pet Spa For Dogs

48" x 30" x 26"

**Installation:**  
Alcove  
*cannot be undermounted*



**NOTE:** Pump and fixtures come standard on the right. Left-hand placement is available by special request.



### GENERAL SPECIFICATIONS:

<b>Material</b>	Acrylic
<b>Plumbed Weight</b>	75 lbs / 34 kg
<b>Soaker Weight</b>	57 lbs / 25.85 kg
<b>Average Fill</b>	21 gal to above jet level
<b>Maximum Fill</b>	35 gal to top

### ELECTRICAL SPECIFICATIONS:

<b>Required Electrical Service</b>	110 Volt
<b>Whirlpool</b>	1-15 amp GFCI

CSA Certified C/US; ANSI Z124.1 for plastic tubs and ANSI 112.19.7 for whirlpool components.

### IMPORTANT ORDERING & INSTALLATION INFORMATION:

- Before ordering or installing, please consider future access to equipment.
- Suction and control locations may vary.
- Specifications and configurations are subject to change without notice.
- Measurements are  $\pm 1/2"$  and are subject to change without notice.
- Measurements herein supersede all others published prior to publication date shown below.

See the "Designer Collection Tubs Installation & Operation Manual" included with tub delivery or go to [mtibaths.com/support/installation\\_operation/manuals](http://mtibaths.com/support/installation_operation/manuals) for all the information necessary to install and operate the tub.

MTI's Customer Service Department is available Monday-Friday 8am-6pm EST at 800-783-8827 or [customerservice@mtibaths.com](mailto:customerservice@mtibaths.com) to answer any questions pertaining to ordering or installation.