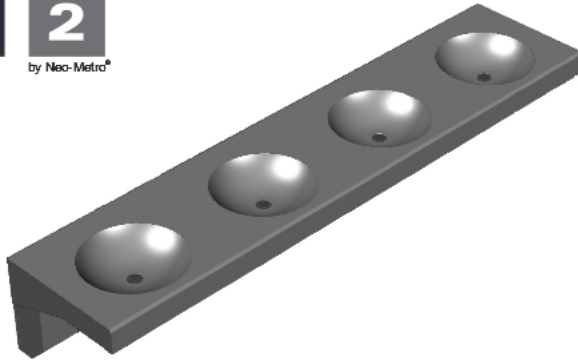


# Straight Front Washbasin

system



**Model Shown: 8981-4-RL**  
Four Station Straight Front Washbasin with Integral Round Bowl

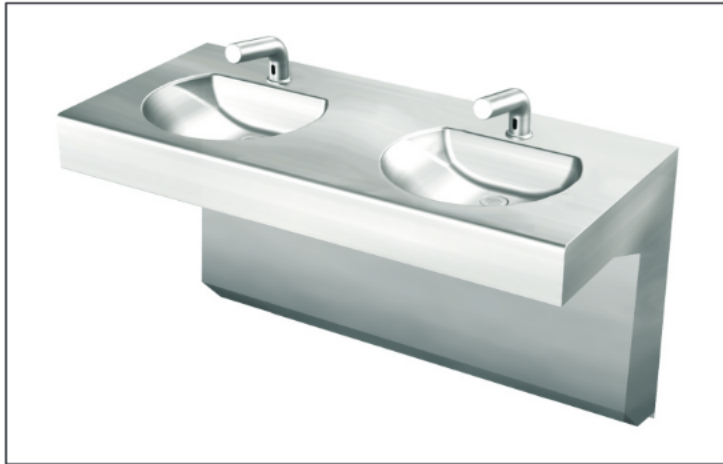
- **Straight Front Design Wash Basin**
  - **Heavy Duty Stainless Steel Construction**
  - **Available in 1, 2, 3 or 4 Station Configuration**
  - **Available with -BKS Backsplash**
  - **Available with -IS Integral Shelf Under Counter Sensor Operated Spout are aligned over each station**
  - **Available with an Integral Round, D-Shaped, Rectangular Satin Finish (Standard) or Mira (High Polish)**
  - **Available with J-Spout or L-Spout Not applicable with IS Deck Style**
  - **Pressure Balance Mixing Valve Included Unless -9 Option is selected where Customer will provide own Valves/Faucets.**
  - **P-Trap(s) Included One Waste Connection for up to 3 Basins**
- ADA, ANSI, ASA, CSA, UFAS Compliant**



	DESCRIPTION	MODEL/OPTION #
<b>A</b>	<b>DECK TYPE</b> - Required Selections	INIT.
	<input type="checkbox"/> <b>One Station</b> Length: 24" (610 mm)	8981-1
	<input type="checkbox"/> <b>Two Station</b> Length: 48" (1,219 mm)	8981-2
	<input type="checkbox"/> <b>Three Station</b> Length: 72" (1,829 mm)	8981-3
	<input type="checkbox"/> <b>Four Station</b> Length: 96" (2,438 mm)	8981-4
	<input type="checkbox"/> <b>Standard Deck</b>	
	<input type="checkbox"/> <b>Backsplash</b> 3 inch 60° Backsplash Runs the Length of Fixture	- BKS
	<input type="checkbox"/> <b>Integral Shelf w/Spout</b> Convenient Shelf Runs Length of Fixture; Built-in Sensor Operated (Plug-in Power Supply) Spout over each Bowl [Formerly Model 8982]	- IS
<b>Add(+)</b>	<b>B BOWL SHAPE/FINISH</b> - Required Selection	INIT.
	<b>Integral Round Bowl</b>	
	<input type="checkbox"/> <b>Satin</b> (Standard)	-RL
	<input type="checkbox"/> <b>Mira</b> (High Polish)	-RL-HP
	<b>Integral D Bowl</b>	
	<input type="checkbox"/> <b>Satin</b> (Standard)	-RLD
	<input type="checkbox"/> <b>Mira</b> (High Polish)	-RLD-HP
	<b>Integral Rectangular Bowl</b>	
	<input type="checkbox"/> <b>Satin</b> (Standard)	-SQR
	<input type="checkbox"/> <b>Mira</b> (High Polish)	-SQR-HP
	<input type="checkbox"/> <b>Overflow Outlet</b> Each Bowl will be Configured with a Overflow Waste Outlet	-OF



# Straight Front Washbasin



**Model Shown:**  
**8981-2-BKS-RLD-DML-SO**  
 Two Station Straight Front Washbasin with Integral D-Shaped Bowls, Sensor Operated Deck Mounted L-Spouts.

system

M

2

by Neo-Metro®

**Space Saving**

**Lower Installation Cost**

**Lower Maintenance & Operation Cost**

**Saves Water**

**ADA Compliant**



	DESCRIPTION	MODEL/OPTION #
<b>Add(+)</b>	<b>C VALVE/FAUCETS</b> - Required Selection <span style="float: right;">INIT. <input type="text"/></span>	
	<b>Deck Mounted J-Spout</b> <input type="checkbox"/> <b>Hand Operated</b> -DMJ-H <input type="checkbox"/> <b>Sensor Operated</b> -DMJ-SO Plug-in Power Supply	
	<b>Deck Mounted L-Spout</b> <input type="checkbox"/> <b>Hand Operated</b> -DMJ-H <input type="checkbox"/> <b>Sensor Operated</b> -DML-SO Plug-in Power Supply	
	<input type="checkbox"/> <b>Punching for Valve</b> -9 Customer will provide own faucet/valves. Neo-Metro will provide hole punching to accommodate Customer's faucet. <b>Please provide Neo-Metro with faucet's specification drawings.</b> (All holes punchings will be the same diameter)	

**VALVE/FAUCET FOR - IS STYLE DECKS**  
 Built-in sensor operated (Plug-in Power Supply) spout over each bowl are included (do not need to specify).

	DESCRIPTION	MODEL/OPTION #
<b>Add(+)</b>	<b>D OTHER OPTIONS</b> <span style="float: right;">INIT. <input type="text"/></span>	
	<b>Extended Countertop</b> Please specify length in the blanks after -ECL-ECR. (Maximum 118" or 2,997mm) <input type="checkbox"/> <b>Left Side</b> -ECL <input type="text"/> <input type="checkbox"/> <b>Right Side</b> -ECR <input type="text"/>	
	<b>Electric Water Heater</b> -HTR Electric Instant Water Heater (1 or 2 Station - 1 Heater 3 or 4 Station - 2 Heaters)	
	<b>Metering Liquid Soap System</b> includes Dispenser and Refilling System. Note: May Alter Size of Trap Enclosure. Please contact Neo-Metro for Liquid Soap Recommendations.	
	<input type="checkbox"/> <b>Satin (Standard) Dispenser</b> -PDM <input type="checkbox"/> <b>Mira (High Polish) Dispenser</b> -PDM-HP	
	<b>Trash Receptacle</b> Countertop is extended 18" on specified side of fixture to provide a waste hole and tilt-out access bin <input type="checkbox"/> <b>Left Side</b> -WRL <input type="checkbox"/> <b>Right Side</b> -WRR	

# Straight Front Washbasin

## How to Assemble a System M2 Model Number 8981

DECK TYPE <b>A</b>	BOWL TYPE <b>B</b>	VALVE/FAUCET <b>C</b>	OTHER OPTIONS <b>D</b>
<b>8981</b> - <b>Number of Stations</b> - 1 (One-Station) - 2 (Two-Station) - 3 (Three-Station) - 4 (Four-Station)  <b>(Optional) Deck Style</b> - BKS (Backsplash) - IS (Integral Shelf) Skip if not ordering either	<b>Bowl Style/Finish</b> - RL (Satin Round Bowl) - RL-HP (Mira High Polish Round Bowl) - RLD (Satin D-Bowl) - RLD-HP (Mira High Polish D-Bowl) - SQR (Satin Rectangular Bowl) - SQR-HP (Mira High Polish Rectangular Bowl)	<b>Valve/Faucet</b> - DMJ-H (J-Spout Hand Operation) - DMJ-SO (J-Spout Sensor Operation) - DML-H (L-Spout Hand Operation) - DML-SO (L-Spout Sensor Operation) - 9 (Punching Only - Customer Provides Faucet/Valves)  <b>IS MODELS ONLY</b> Under Shelf - Spout Sensor Operation are supplied.	<b>Extended Counter Top</b> - ECL (-Left Side) - ECR (-Right Side) Skip if not ordering  <b>Electric Instant Heater</b> - HTR Skip if not ordering  <b>Metering Liquid Soap System</b> - PDM (Satin Dispenser) - PDM-HP (Mira High Polish Dispenser) Skip if not ordering  <b>Trash Receptacle</b> - WRL (Left Side) - WRR (Right Side) Skip if not ordering

Example:

**8981** - 3 - IS - SQR-HP - OF - WRL

Three Station Integral Shelf Style Deck Mira High Polish Rectangular Bowl Overflow NOT APPLICABLE - Under shelf spouts included with shelf Soap Dispenser (NONE) Electric Instant Heater (NONE) Extended Counter Top (NONE) Trash Receptacle-Left Side

Now it's your turn! Please fill in blanks provided on the top line to assemble the model number corresponding to the features you want on your System M2 Model 8980.

**Orders will not be processed until specification sheets including faucet drilling worksheets are complete and signed.**

**NO CANCELLATIONS.**

COMPANY: \_\_\_\_\_

PROJECT NAME: \_\_\_\_\_

SIGNEE'S NAME WRITTEN CLEARLY: \_\_\_\_\_ DATE \_\_\_\_\_

AUTHORIZED SIGNATURE: \_\_\_\_\_

# Straight Front Washbasin

**System M2 Stainless Steel Basins** are engineered to combine design and durability.

**Model 8981 Series Washbasins have straight fronts** and are available in one, two, three or four station units. These units offer the look and feel of commercial-grade designer basins and counter tops.

These units are fabricated of heavy-gage, type 304 satin finish stainless steel. Corners are fully welded and seamless. The units include a full length trap enclosure to conceal hot and cold mixing valve assembly and P-trap(s).

Hardware is supplied to secure the fixture to the wall.

Each standard height washbasin complies with ANSI, UFAS and ADA requirements. Please check you your local plumbing codes.

**-BKS Backsplash** option features a 3" (76 mm) 60" back splash extending the entire length of the unit.

**-IS Integral Shelf** option features a shelf a 6" (152 mm) high x 9" (229 mm) shelf running the full length of the unit. An under shelf sensor operated spout is provided for each wash station. The sensors require a plug-in power supply.

**Integral Bowls** are offered with Round, D-Shaped or Rectangular Styles. Satin or Mira (high polish) finishes are also available with any of these styles.

**Pressure Balancing Mixing Valve** delivers a constant water temperature. Valve is provided with a variable temperature limit stop that is

factory preset at 105° Fahrenheit and includes checkstop and strainer assemblies. Operation range is 30-100 PSI. (Not Included with unit when valving is by others)

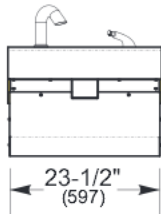
**-H Hand Operation** includes a pressure mixing valve with deck mounted metering Air-Control pushbuttons and deck mounted stainless steel tubular spouts (J-Spout or L-Spout) with a 0.5 GPM flow control.

**-SO Sensor Operation** includes individual solenoid valves activated by infrared sensors with a pressure balancing mixing valve and deck mounted stainless steel tubular spouts (J-Spout or L-Spout) with a 0.5 GPM flow control. The sensors require a plug-in power supply.

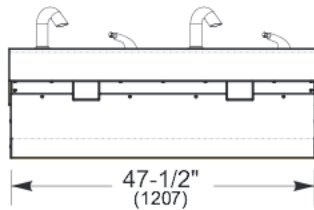
**-PDM Pump Type Soap Dispenser** (Option) is available for liquid and lotion type soaps. Dispensers are deck mounted with an under-the-counter reservoir and top refill feature for ease of maintenance. The dispenser is available in a Satin or Mira High Polish finish.

**-HTR Electric Instant Water Heater** (Option) is available and is designed to fit in trap cover. (Additional specifications needed).

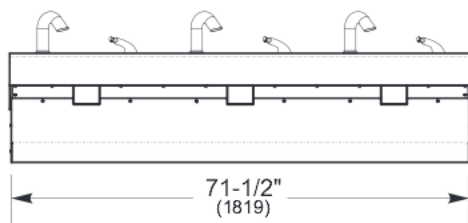
**-WRL/WRR Waste Receptacle** (Option) provides an 18" extension on the left or right (must be specified) to accommodate a receptacle for trash. The receptacle features a under counter tilt-out access bin.



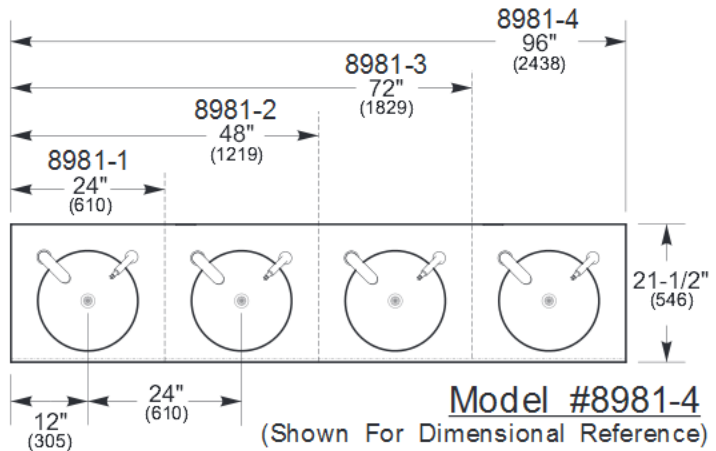
Model #8981-1



Model #8981-2



Model #8981-3



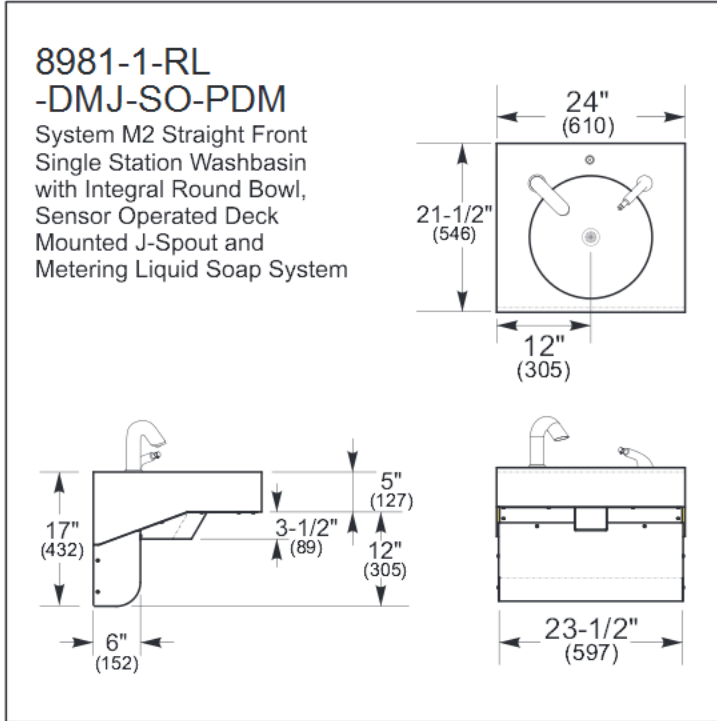
All models below show additional options:  
 -DMJ-SO (Sensor Operated Deck Mounted J-Spout) and  
 -PDM (Metering Liquid Soap System) Options

Neo-Metro assumes no responsibility for use of void or suspended data. All dimensions are nominal and subject to manufacturer change without notice.

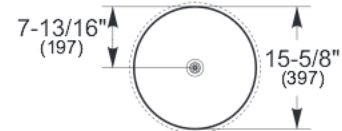
## INSTALLATION INSTRUCTIONS ARE AVAILABLE

# Straight Front Washbasin

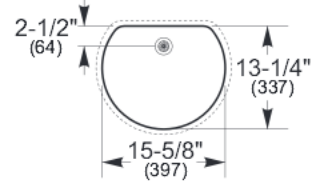
TYPICAL FOR Models 8981-2, 8981-3, 8981-4  
 Two Station Three Station Four Station



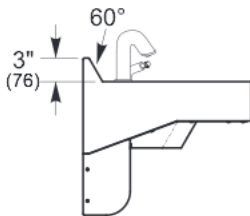
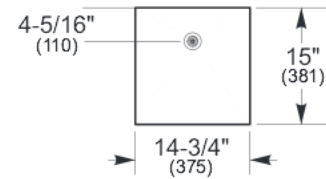
**-RL Integral Round Bowl**



**-RLD Integral D Shaped Bowl**

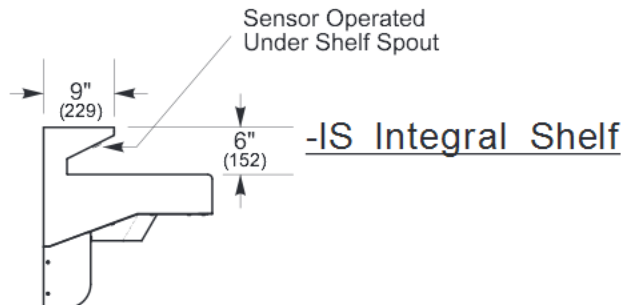


**-SQR Integral Rectangular Bowl**



**-BKS Backsplash**

Also shown with -DMJ-SO (Sensor Operated Deck Mounted J-Spout) and -PDM (Metering Liquid Soap System) Options



**-IS Integral Shelf**

Neo-Metro assumes no responsibility for use of void or suspended data. All dimensions are nominal and subject to manufacturer change without notice.

**INSTALLATION INSTRUCTIONS ARE AVAILABLE**