

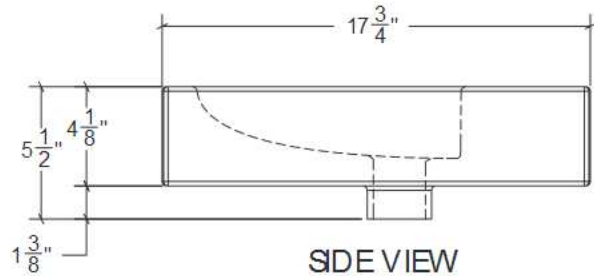
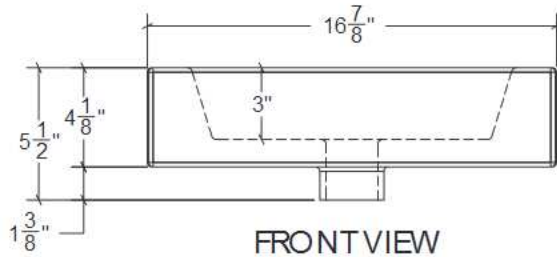
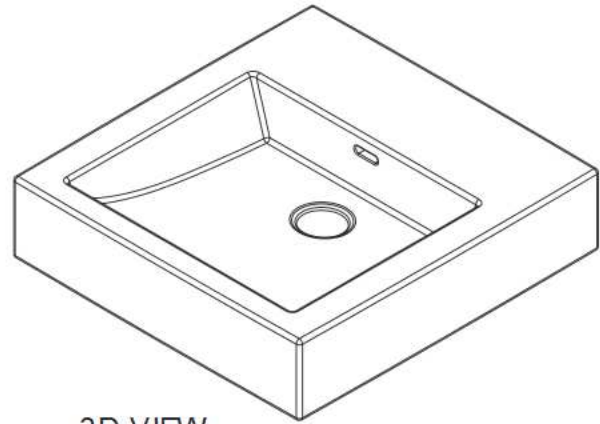
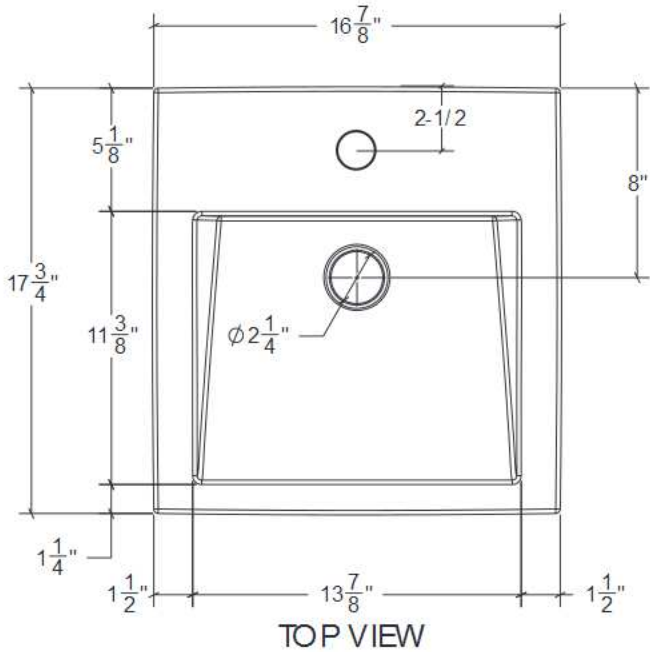
PS-1617

FEATURES:

- * Sink Size: 16 7/8" x 17 3/4" x 5 1/2"
- * Material: Vitreous China
- * Counter Top Sink with Deck Mount Hole
- * Recommended Drain: DS-001
- * For Faucets With Overflow
- * For Use With Standard Pop Up Drain
- * Warranty: One Year Limited Warranty

CODES / STANDARDS APPLICABLE

- * CSA B45
- * ASMEA112.19.2



JOB INFORMATION:

Job Name _____
 Date Specified _____
 Contractor _____

* Specifications and drawings provided on this sheet are for illustration only. Cantrio Koncepts will not be held responsible for cutouts made without the actual product or product template.