

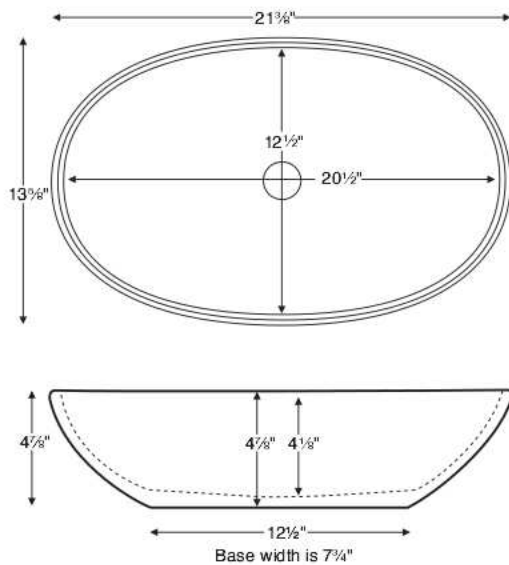
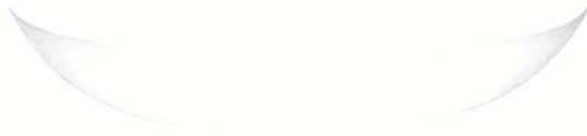
Alissa

Part # - MTCS-716

21.375" x 13.625" x 4.875"

Installation: vessel-style or undermount

Lead Time - 10 Business Days



PRICING AND OPTIONS

Part # MTCS-716 \$771

STANDARD COLORS / FINISH - White or Biscuit; matte finish

OPTIONAL COLORS / FINISH - White or Biscuit; gloss finish **Add \$169**

Other colors available for projects only. Please call MTI.

OPTIONS

Quick Ship/Priority. Call for availability.(QUISINKSH) \$85

CONSTRUCTION AND STANDARD FEATURES

- Single-bowl design; 1.75" drain opening.
- Sink has no overflow. Requires vessel-style drain kit without overflow. Check local codes.
- One-piece construction.
- Constructed using MTI's Engineered Solid Stone™ (ESS) material, which is a mixture of ground natural materials and binding agents that are liquefied, poured and then hardened.
- Approximately 60% of the material is organic, including minerals mined from the earth, making it "Green".
- Same material and color all the way through, with minor variations due to use of natural minerals.
- Durable, non-porous material is easy to clean.
- Stain, mold and mildew-resistant.
- 5-year Limited Residential Warranty.
- Shipping weight: 25 lbs.

NOTE: Sink rests on top of counter. Cut-out for the drain installation is required. Measurements are $\pm 1/2$ " and are subject to change without notice. Data herein supersedes all previous prior to publication date indicated below.