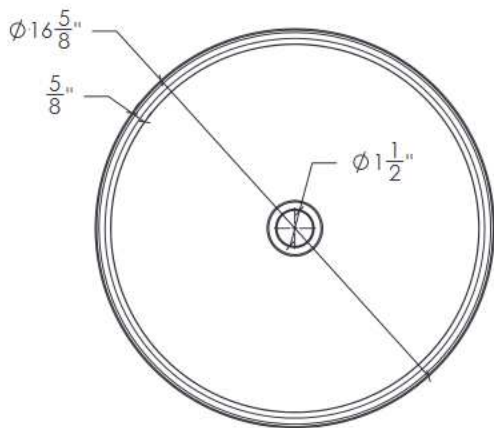




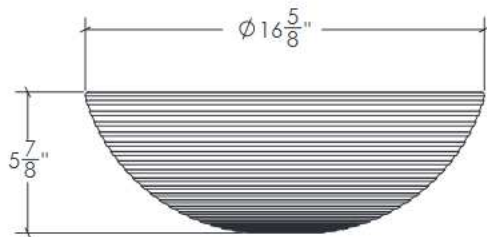
GS-210

FEATURES:

- * Sink Size: 16 5/8" Dia. x 5 7/8"
- * Material: Textured Tempered Glass
- * Counter Top Sink
- * Recommended Drain: DS-003
- * For Use With Standard Pop Up Drain
- * Warranty: One Year Limited Warranty



TOP VIEW



FRONT VIEW



3D VIEW

JOB INFORMATION:

Job Name _____
 Date Specified _____
 Contractor _____

* Specifications and drawings provided on this sheet are for illustration only. Cantrio Koncepts will not be held responsible for cutouts made without the actual product or product template.