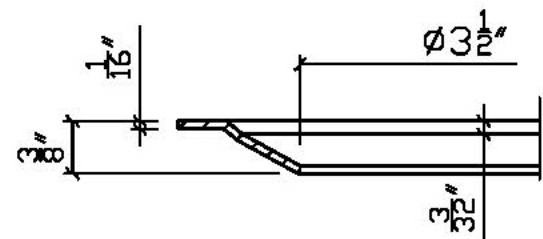
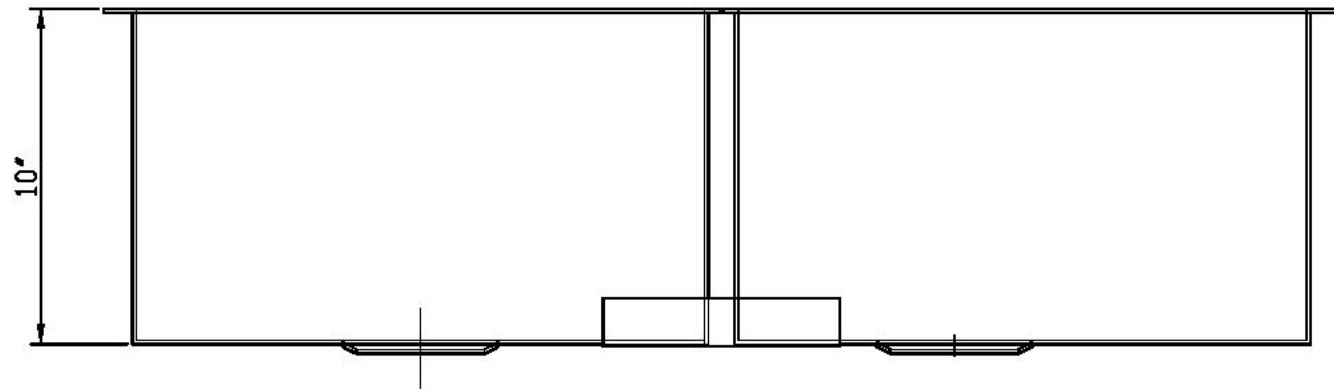
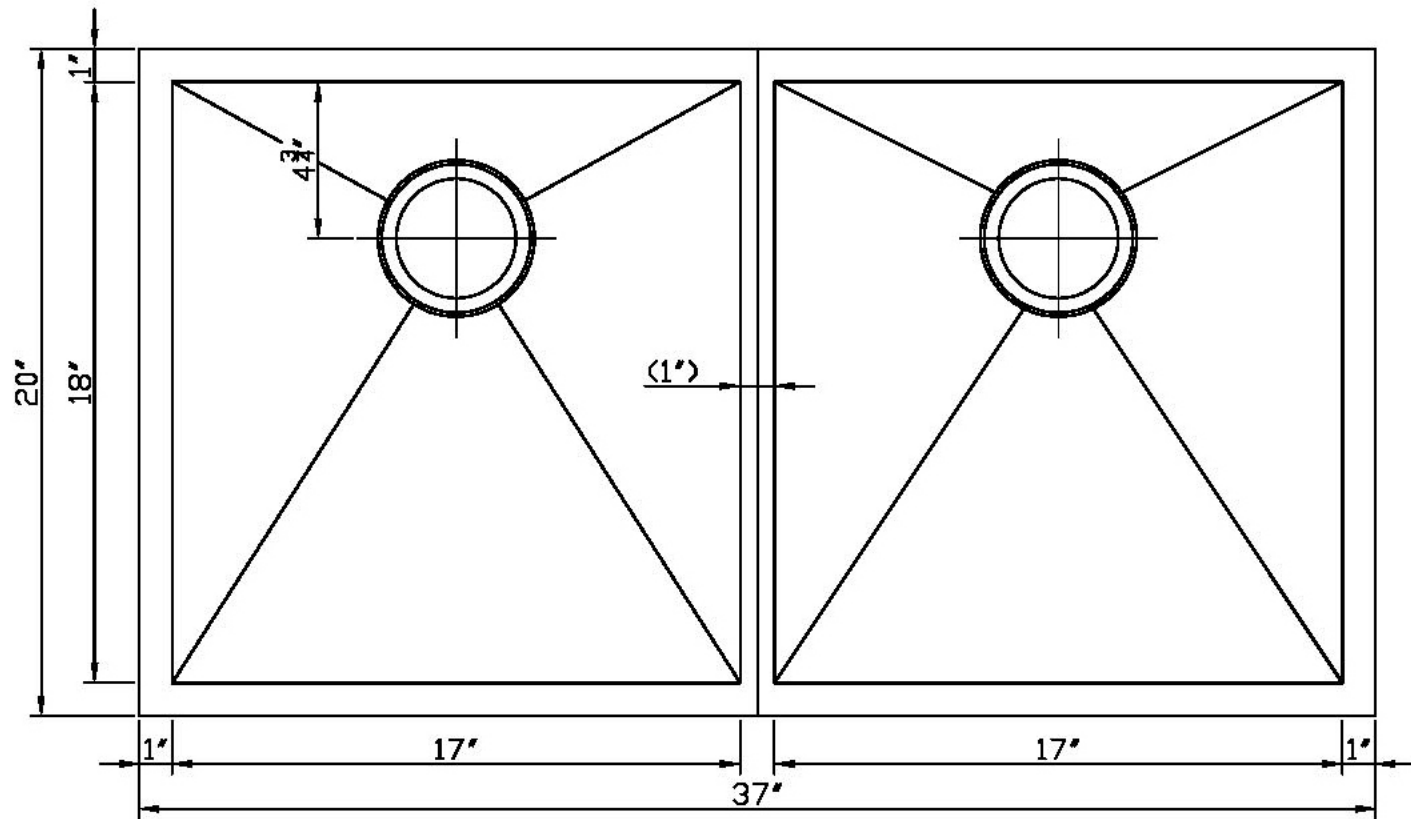


ED 3720B



SCALE OF WATER OUTLET (4: 1)