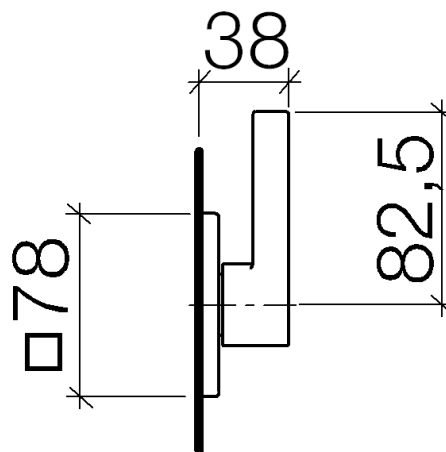




Product specifications

Exposed trim parts only, rough to be ordered separately

- Flange 3 1/8 x 3 1/8"
- [ADA]



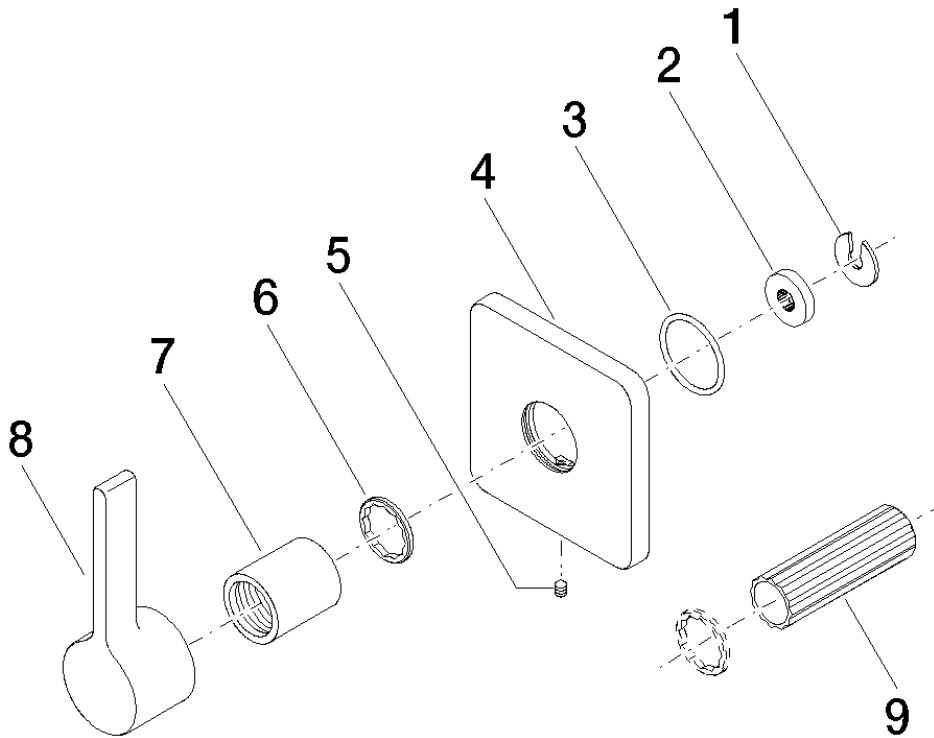
Surfaces

- | | |
|-----------------|-------------|
| • chrome | 36104710-00 |
| • chrome | 36104710-00 |
| • matt platinum | 36104710-06 |
| • matt platinum | 36104710-06 |

Accessories required

- Rough for two-way diverter; 35124970
- Rough for two-way diverter; 35124970
- Rough for three-way diverter; 35104970
- Rough for three-way diverter; 35104970

Exploded assembly drawing



Order quantity

No.	Article number	Name	Installation quantity
1	09160102690	ring	1
2	09281015490	ring	1
3	09141006390	seal	1
4	092771012ff	rosette	1
5	09311100790	pin	1
6	09160102590	ring	1
7	092102070ff	cover	1
8	092071004ff	handle	1
9	09300901090	key	1