

EVOLUTION™ 5-1/2' x 36" OVAL AIR BATH

2645V.068C Air Bath

- EverClean® System
- Acrylic with fiberglass reinforcement
- Can be drop-in or undermount installed
- Full body massage with 24 strategically placed air jets
- Variable speed air blower with heater
- Automatic purge with timer
- Chrome jets (optional color-matched jet caps)

2645V.002 Bathing Pool

Nominal Dimensions:

66" x 36" x 19-3/4"
(1676 x 914 x 502mm)

Compliance Certifications -

Meets or Exceeds the Following Specifications:

- Underwriters Laboratories - Hydromassage Bathtubs UL 1795
- ASME A112.19.7M for Air Bath Appliances
- ANSI Z124.1 for Plastic Bathtubs
- ASTM E162 for Flammability
- NFPA 258 for Smoke Density

American Standard whirlpools with EverClean® incorporate a patented silver-ion additive right into the circulation piping to protect the pipes from mold, mildew, algae and fungus that could cause deterioration or staining of the pipes.

SEE REVERSE FOR PRODUCT DIMENSIONS
AND SPECIFICATIONS



To Be Specified - Required:

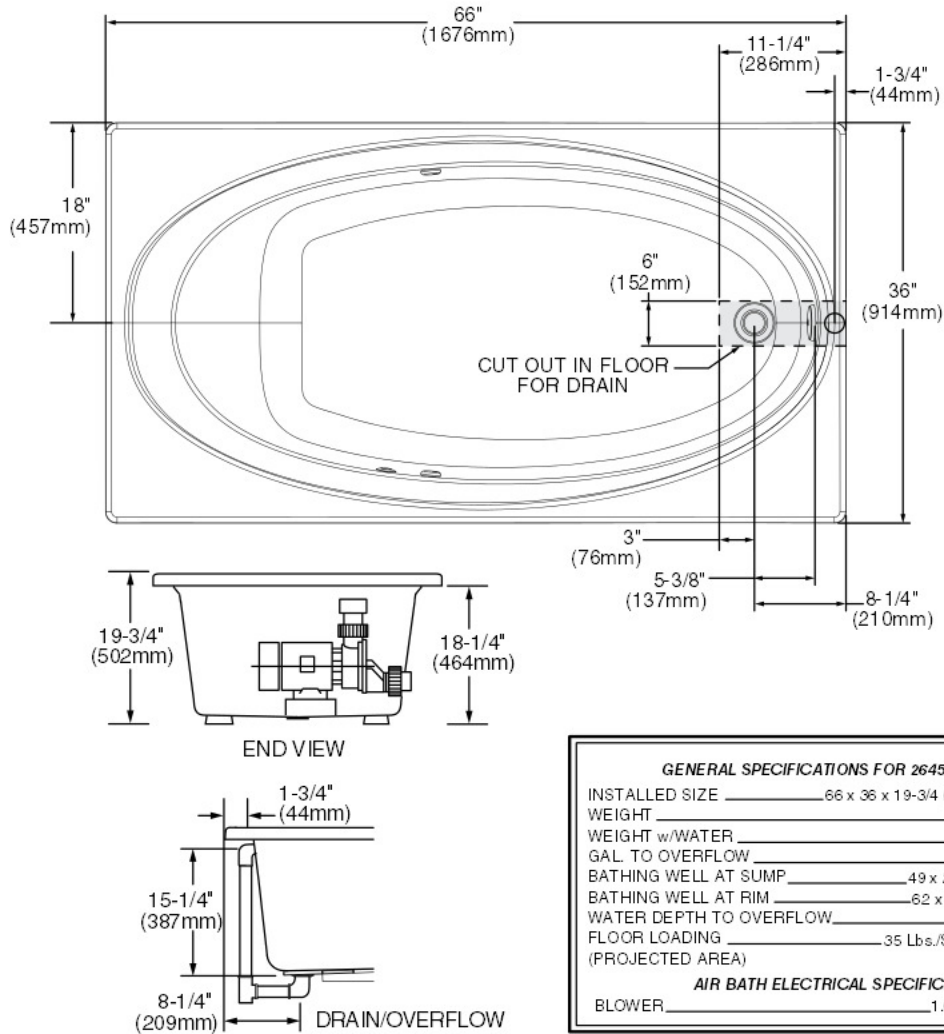
- Color:
- Bath Filler: (specify finish)
- Bath Drain: 1583.470 (specify finish)

To Be Specified - Optional:

- 5-1/2 Foot Apron: 9266.018.XXX (specify color)
- Tile Bead Kit: 751755-100
- Air Bath Button Cover Set: 9810.025 (specify color)
- Air Blower Remote Mounting Kit: 754025-0071A

* See American Standard Faucet Selector

For color/finish availability and other faucet choices, please see the Product Selector and Pricing Guide.



GENERAL SPECIFICATIONS FOR 2645V AIR BATH	
INSTALLED SIZE	66 x 36 x 19-3/4 (1676 x 914 x 502mm)
WEIGHT	96 Lbs. (44 Kgs.)
WEIGHT w/WATER	580 Lbs. (263 Kgs.)
GAL. TO OVERFLOW	58 Gal. (219 L)
BATHING WELL AT SUMP	49 x 26 In. (1245 x 660mm)
BATHING WELL AT RIM	62 x 32 In. (1575 x 813mm)
WATER DEPTH TO OVERFLOW	12-3/4 In. (324mm)
FLOOR LOADING (PROJECTED AREA)	35 Lbs./Sq.Ft. (171 Kgs./Sq.m)
AIR BATH ELECTRICAL SPECIFICATIONS	
BLOWER	1.0 HP, 10 AMPS, 120V.

DIMENSIONS OF FIXTURES ARE NOMINAL AND MAY VARY WITHIN THE RANGE OF TOLERANCES ESTABLISHED BY ANSI STANDARDS Z124.1 AND A112.19.7.

NOTES:

BATH CAN BE INSTALLED EITHER ABOVE OR BELOW FLOOR LINE AS PIER, ISLAND, OR PENINSULA TYPE INSTALLATION. SUMP OF BATH IS SUPPORTED BY INTEGRAL FEET. NO ADDITIONAL SUPPORT REQUIRED. ENCLOSING MATERIAL BY OTHERS.

■ REFER TO INSTALLATION INSTRUCTIONS SUPPLIED WITH AIR BATH FOR ADDITIONAL INFORMATION.

OPTIONAL APRON 9266.018 OR 9366.018 AVAILABLE AND MUST BE ORDERED SEPARATELY.

FITTINGS NOT INCLUDED, MUST BE ORDERED SEPARATELY.

PROVIDE SUITABLE REINFORCEMENT FOR ALL SUPPORTS.

IMPORTANT: Dimensions of fixtures are nominal and may vary within the range of tolerances established by ANSI Standard Z124.1. These measurements are subject to change or cancellation. No responsibility is assumed for use of superseded or voided pages.