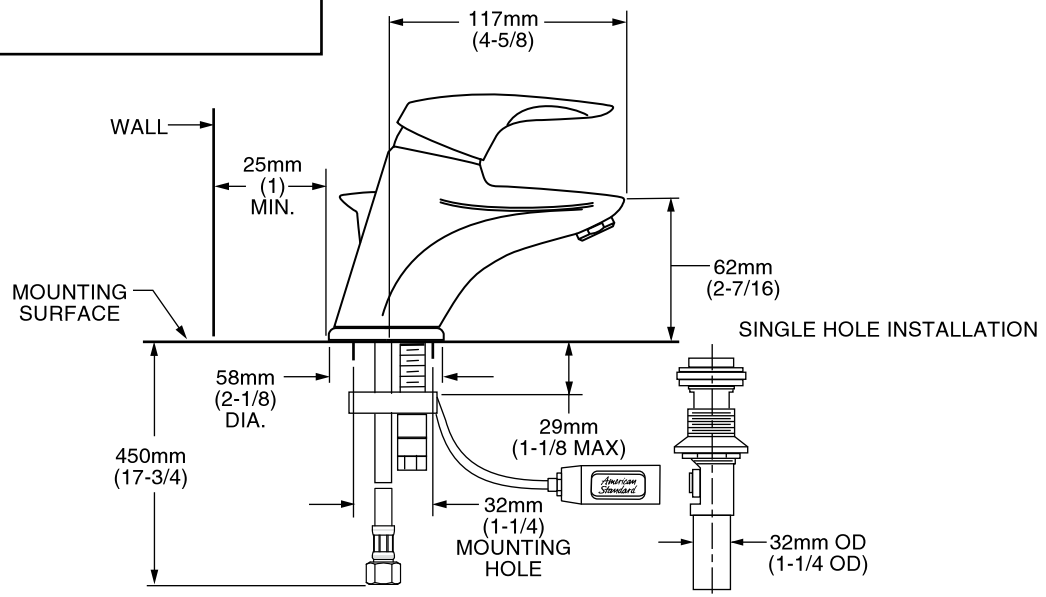


2000.101X Shown



MODEL NUMBER:

- 2000.101 Lavatory Faucet**
Metal Speed Connect® pop-up drain. Escutcheon plate.
- 2000.100 Lavatory Faucet**
Less drain. Less hole and pop-up rod. Escutcheon plate.
- 2000.101X Lavatory Faucet**
Metal Speed Connect pop-up drain. Less escutcheon plate.

AVAILABLE ACCESSORY:

- 2000.102P Escutcheon Plate Only**

GENERAL DESCRIPTION:

Cast brass body and brass escutcheon (on applicable models) with all metal handle. Washerless 47mm ceramic disc valve cartridge. Equipped with a hot limit safety stop. Braided flexible supply hoses with 3/8" compression connectors. 20 inch (500mm) long flexible stainless steel drain cable is pre-assembled to spout. Metal Speed Connect® drain body with 1-1/4 inch (32mm) tail piece. 1.5 gpm/5.7L/min. maximum flow rate.

PRODUCT FEATURES:

- Brass Construction:** Durable. Easy to clean.
- Ceramic Disc Valve Cartridge:** Assures a lifetime of drip-free performance.
- Adjustable Hot Limit Safety Stop:** Limits the amount of hot water allowed to mix with cold. Reduces the risk of accidental scalding.
- Low Lead:** Meets NSF Standard 61/Section 9 & Prop 65 lead requirements.
- Exclusive Speed Connect Metal Drain:**
 - Fewer parts. Installs in less time.
 - No adjustments required - seals the first time, every time.
 - Flexible stainless steel cable - installs effortlessly in tight spaces.
- Choice of Finishes:** Available in Polished Chrome or Satin Nickel (PVD).

SUGGESTED SPECIFICATION:

Single control lavatory fitting shall feature a cast brass body with all metal handle. Shall also feature washerless ceramic disc valve cartridge. Fitting shall be equipped with a hot limit safety stop. Shall also feature a metal drain body with stainless steel cable actuation. Fitting shall be American Standard Model # 2000.____.____.