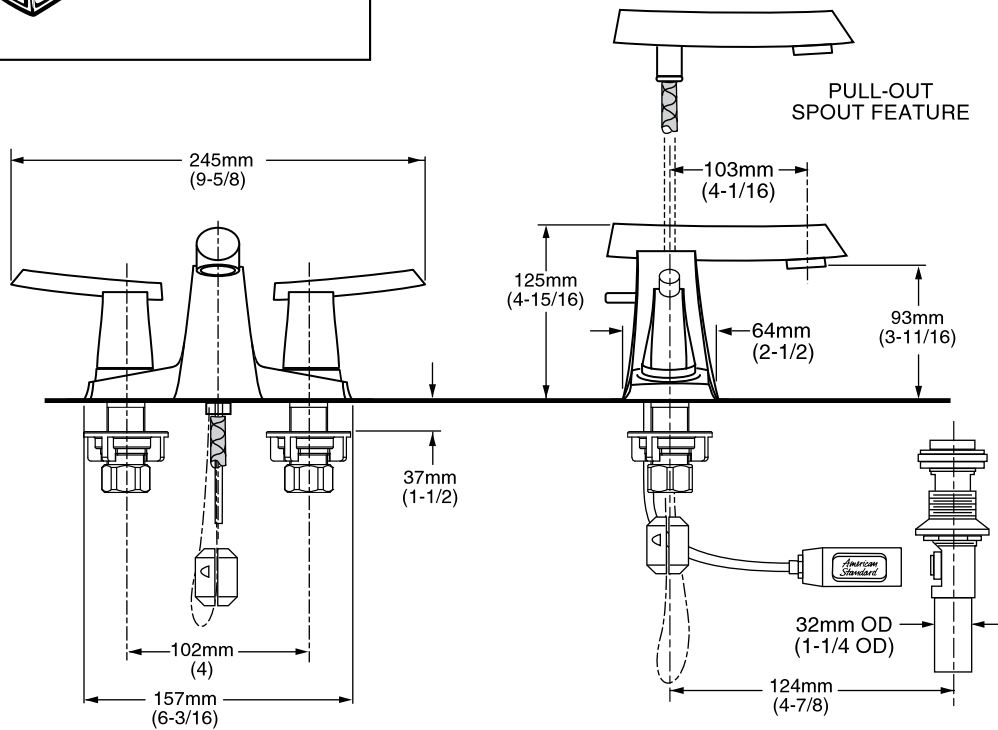


MODEL NUMBER:

- **7010.201 Centerset Lavatory with Pull-Out Spout**
Metal Speed Connect® Pop-up drain.
Metal Lever handles.



GENERAL DESCRIPTION:

Centerset lavatory faucet on 4" centers. 1/4 turn washerless ceramic disc valve cartridges. Durable cast brass valve bodies with one-half inch male inlet shanks. Metal body. Brass pull-out spray spout (can be locked to spout base if desired). Hose is 1250mm (4') long with 625mm (2') reach. Complete with two integral check valves. Metal lever handles. 20 inch (500mm) long flexible stainless steel drain cable is pre-assembled to faucet body. Metal Speed Connect® drain body with 1-1/4 inch (32mm) tail piece. 1.5 gpm/5.7L/min. maximum flow rate.

PRODUCT FEATURES:

- Ceramic Disc Valve Cartridges:** Assures a lifetime of drip-free performance.
- Cast Brass Valve Bodies:** Strong and durable.
- Low Lead:** Meets NSF Standard 61/Section 9 & Prop 65 lead requirements.
- Integral Check Valves:** Prevents backflow.
- Exclusive Speed Connect Metal Drain:**
 - Fewer Parts - installs in less time.
 - No adjustments required - seals the first time, every time.
 - Flexible stainless steel cable - installs effortlessly in tight spaces.
- Choice of Finishes:** Available in Polished Chrome or Stainless Steel (PVD).

SUGGESTED SPECIFICATION:

Two-handle 4" centerset lavatory faucet shall feature a pull-out spout with two check valves and cast brass valve bodies. Shall also feature 1/4 turn washerless ceramic disc valve cartridges. Shall also feature a metal drain body with stainless steel cable actuation. Fitting shall be American Standard Model # 7010.201._____.