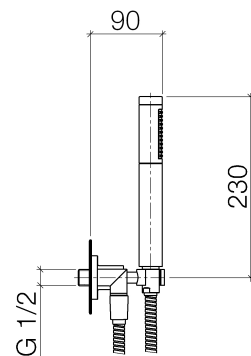
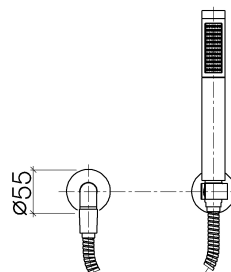




Product specifications

- Hand shower bracket
 - Baton hand shower with descaling system
 - 49 1/4" shower hose with rotating hose connector
 - Flange diameter 2 1/8"
 - 1/2" wall elbow with back flow preventer
 - Baton hand shower with descaling system
 - Water flow rate limited to max. 2 gpm
- Internal backflow preventer.



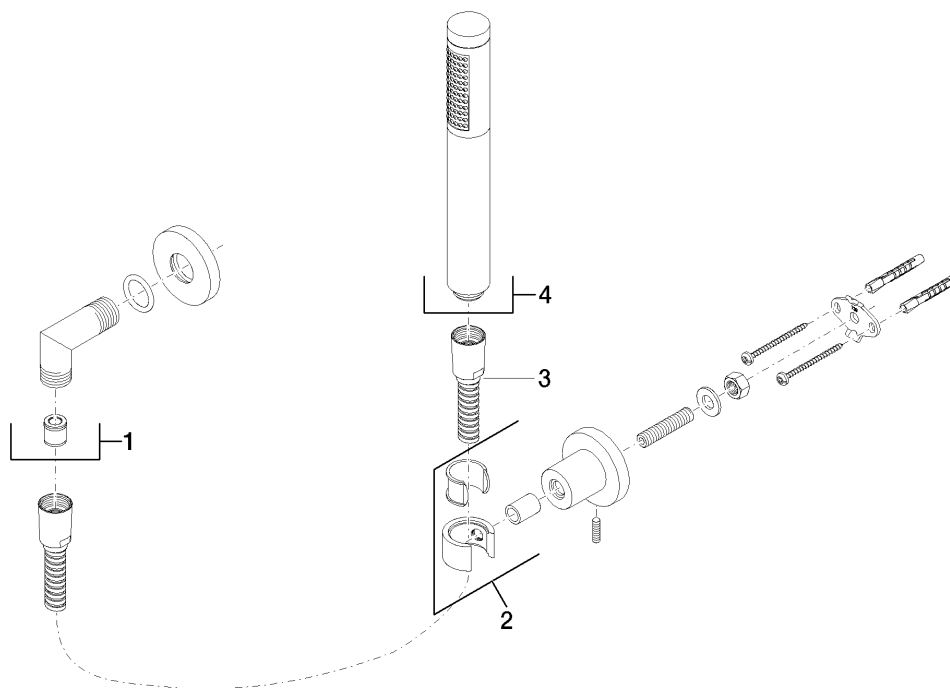
Surfaces

- chrome 27802892-00
- chrome 27802892-00
- matt platinum 27802892-06
- matt platinum 27802892-06
- platinum 27802892-08
- platinum 27802892-08
- matt white 27802892-10
- matt white 27802892-10
- matt black 27802892-33
- matt black 27802892-33

Accessories required

- Rough-in adaptor; 35080970
- Rough-in adaptor; 35080970

Exploded assembly drawing





Order quantity

No.	Article number	Name	Installation quantity
1	28450892ff	connection	1
2	28050892ff	holder	1
3	28104970ff	hose	1
4	28010979ff	shower	1

