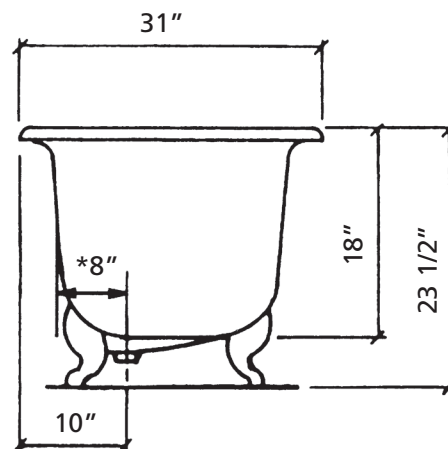
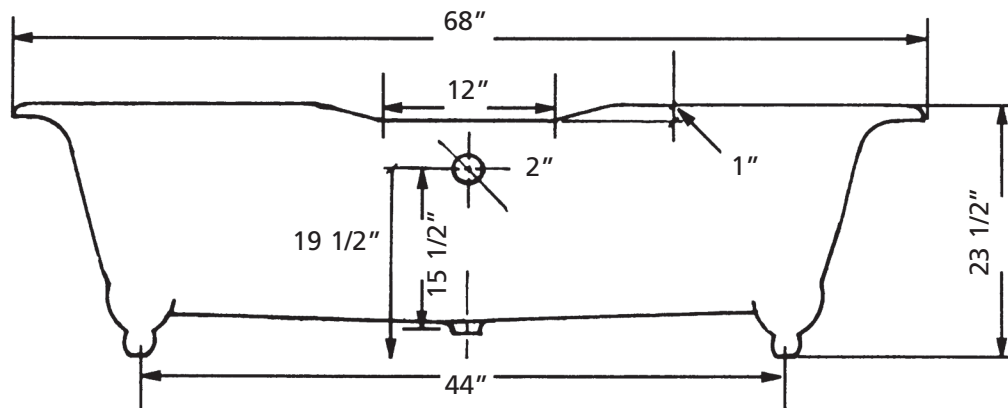
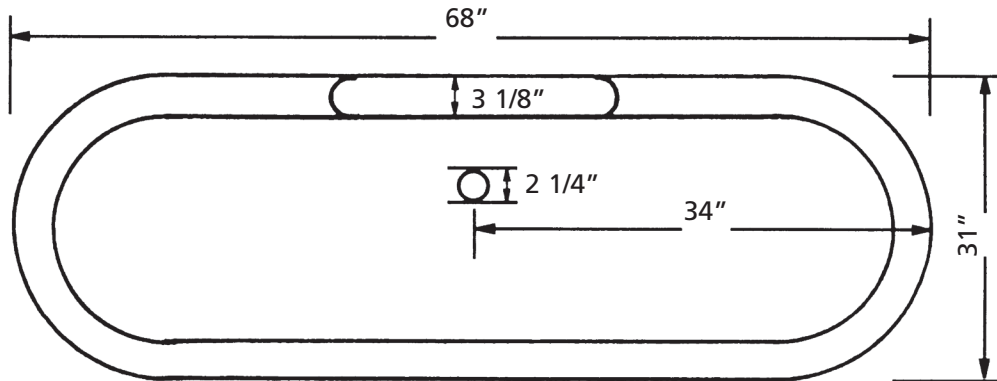


REGAL Cast Iron Clawfoot Tub with flat area on rim | #2110 | Overall Length 68"

REGAL Cast Iron Clawfoot Tub with no flat area on rim | #2111 | Overall Length 68"

with feet 305 lbs, 50 gallons, 190 litres | with wooden base 315 lbs



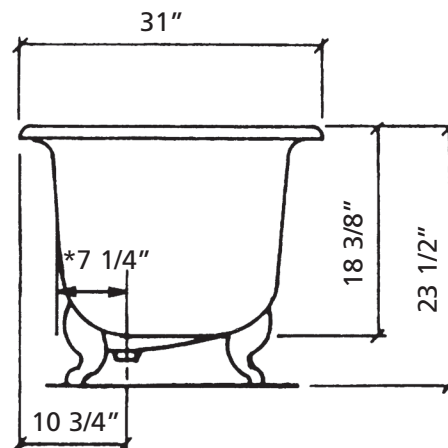
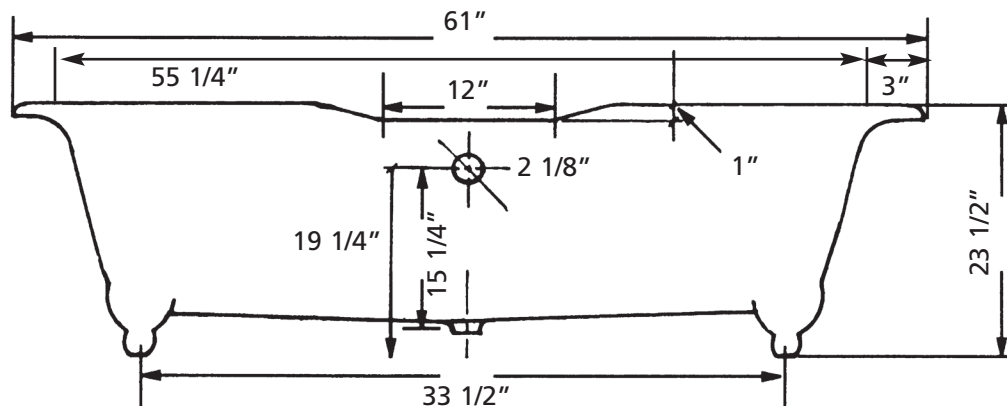
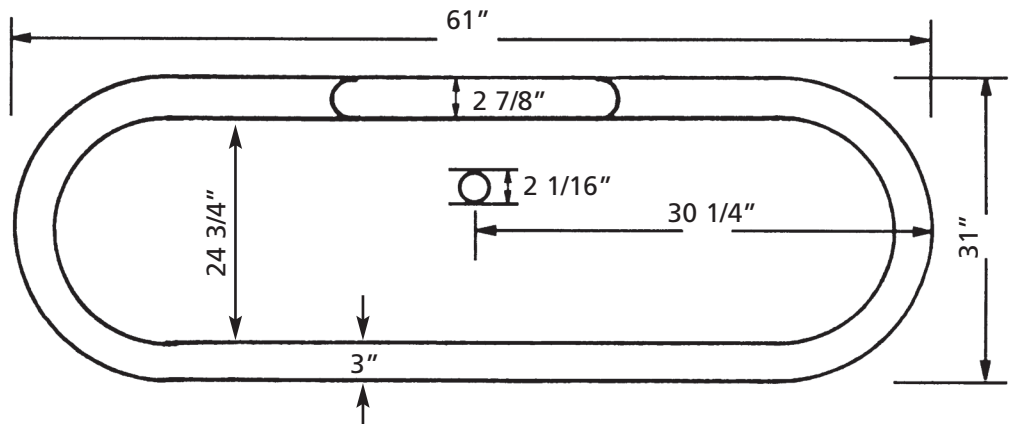
*8" C.C.
waste/overflow
to drain

Top center of
overflow to floor
19 1/2"

REGAL Double Ended Clawfoot Tub with flat area on rim | #2126 | Overall Length 61"

REGAL Double Ended Clawfoot Tub with no flat area on rim | #2127 | Overall Length 61"

with feet 280 lbs, 45 gallons, 170 litres | with wooden base 290 lbs



*8 1/2" C.C.
waste/overflow
to drain

Top center of
overflow to floor
19 1/4"