

Metro

Part # - MTCS-700

22.125" x 17.25" x 4.5" *

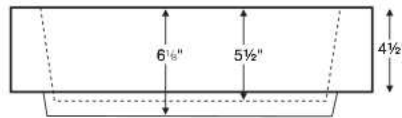
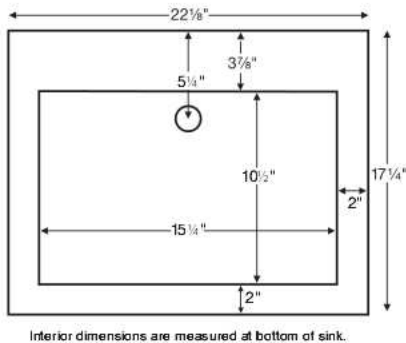
*NOTE: Standard exterior sink height is 4.5".
Custom height available up to 7.5" - see drawings below.
Must specify when ordering.

Installation: vessel-style or undermount

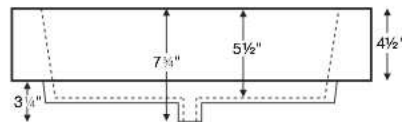
Lead Time - 10 Business Days



Top sink dimensions - All configurations



Front sink dimensions - Drop-In configuration



Front sink dimensions - Drop-In with integrated overflow configuration

CONSTRUCTION AND STANDARD FEATURES

- Single-bowl design; 1.75" drain opening.
- Sink has no overflow standard. Integrated overflow is available by request. See 'pricing and options'.
- No holes drilled standard; up to 3 holes drilled by MTI at no additional charge.
- One-piece construction.
- Constructed using MTI's Engineered Solid Stone™ (ESS) material, which is a mixture of ground natural materials and binding agents that are liquefied, poured and then hardened.
- Approximately 60% of the material is organic, including minerals mined from the earth, making it "Green".
- Same material and color all the way through, with minor variations due to use of natural minerals.
- Durable, non-porous material is easy to clean.
- Stain, mold and mildew-resistant.
- 5-year Limited Residential Warranty.
- Shipping Weight: 42 lbs.

PRICING AND OPTIONS

Part # MTCS-700 \$926

STANDARD COLORS / FINISH - White or Biscuit; matte finish

OPTIONAL COLORS / FINISH - White or Biscuit; gloss finish **Add \$169**

Other colors available for projects only. Please call MTI.

OPTIONS

Integrated Overflow (SINKIO) no additional charge - *must specify on order*

Quick Ship/Priority. Call for availability.(QUISINKSH) **\$85**

NOTE: Measurements are ±1/2" and are subject to change without notice. Data herein supersedes all previous prior to publication date indicated below.