

# 11" OPHELIA RECTANGULAR STAINLESS STEEL PREP SINK

Cat. No  
PSSSB2048-SS



W: 11"  
D: 20"  
H: 8"

## Features:

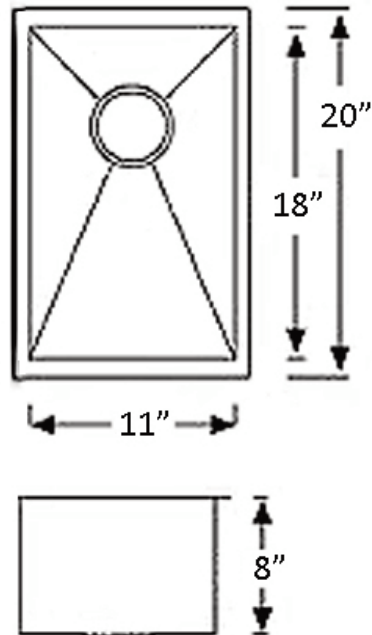
- ▶ Solid 16 gauge, 304 grade metal construction
- ▶ Narrow space saving design
- ▶ Matte finish
- ▶ Zero radius corners for easy cleaning
- ▶ Coated for sound insulation
- ▶ Mounting clips and template included
- ▶ Lip is 1-1/16" wide
- ▶ Drain is 3-1/2"
- ▶ Drain sold separately

**Compliance Certification**  
Meets or exceeds the following  
specifications: ASME  
A112.19.3-2001 for Stainless Steel.

**\*Please do NOT cut hole without  
template or actual product.**

## Interior Dimensions:

Basin Interior: 9" W x 18" D  
Basin Depth: 7-1/2"



Dimensions of fixture are nominal and may vary within the range of tolerances established by ANSI Standard A112.19.2. Dimensions and specifications subject to change without notice.