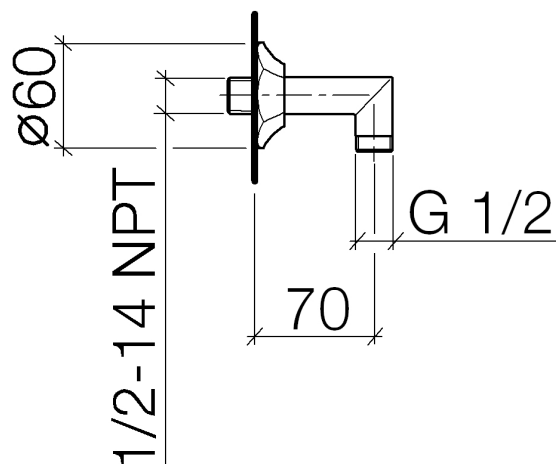




Product specifications

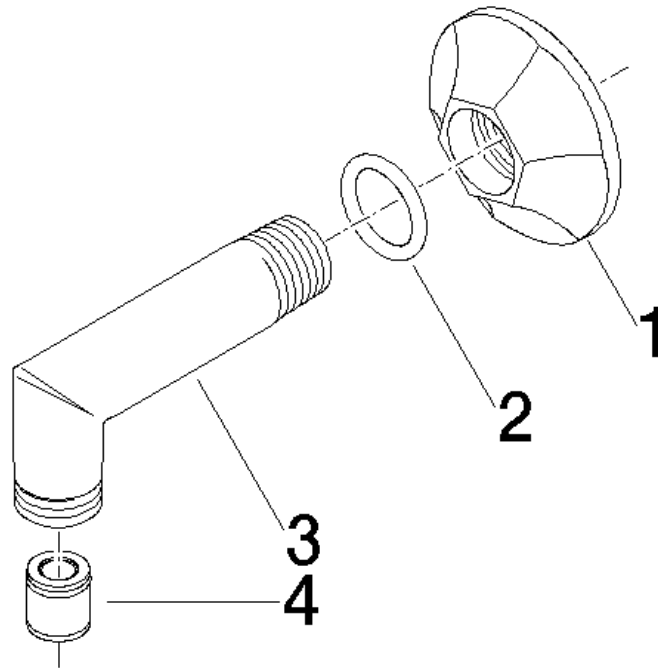
- 1/2" shower hose connection with back flow preventer
- Flange diameter 2 3/8" Internal backflow preventer.



Surfaces

- chrome 28450370-00
- chrome 28450370-00
- matt platinum 28450370-06
- matt platinum 28450370-06
- platinum 28450370-08
- platinum 28450370-08
- brass 28450370-09
- brass 28450370-09

Exploded assembly drawing





Order quantity

No.	Article number	Name	Installation quantity
1	9024030110090	adaptor	1
2	09141002690	seal	1
3	091103021ff	connection	1
4	09230104090	back-flow preventer	1
5	092737003ff	rosette	1