

Adrian SR

Part # - MTCS-737

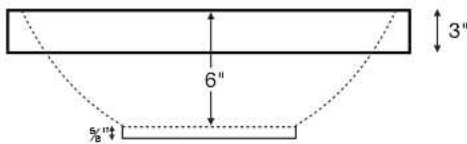
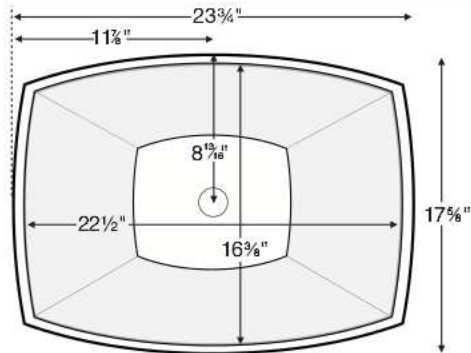
23.75" x 17.625" x 3"*

*NOTE: Standard exterior sink height is 3".
Custom height available up to 6" - see drawings below.
Must specify when ordering.

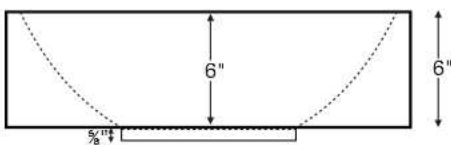


Adrian SR is a semi-recessed sink. When ordered with standard exterior height as shown above, only 3" of the sink will rest on top of vanity.

Installation: semi-recessed
Lead Time - 10 Business Days



Shown above with standard exterior height of 3".



Shown above with custom exterior height of 6".

PRICING AND OPTIONS

Part # MTCS-737 \$926

STANDARD COLORS / FINISH - White or Biscuit; matte finish

OPTIONAL COLORS / FINISH - White or Biscuit; gloss finish Add \$169

Other colors available for projects only. Please call MTI.

OPTIONS

Quick Ship/Priority. Call for availability.(QUISINKSH) \$85



Shown above with a maximum exterior height of 6".
Note: a small portion of the sink bowl will extend below the vanity.

CONSTRUCTION AND STANDARD FEATURES

- Single-bowl design; 1.75" drain opening.
- Sink has no overflow. Requires vessel-style drain kit without overflow. Check local codes.
- Standard exterior height is 3". For greater personalization, custom exterior height is available between 3" - 6". Must specify on order.
- One-piece construction.
- Constructed using MTI's Engineered Solid Stone™ (ESS) material, which is a mixture of ground natural materials and binding agents that are liquefied, poured and then hardened.
- Approximately 60% of the material is organic, including minerals mined from the earth, making it "Green".
- Same material and color all the way through, with minor variations due to use of natural minerals.
- Durable, non-porous material is easy to clean.
- Stain, mold and mildew-resistant.
- 5-year Limited Residential Warranty.
- Shipping weight: 40 lbs.

NOTES: SINK IS SEMI-RECESSED. SINK MUST BE MEASURED ON-SITE TO ENSURE ACCURATE DIMENSIONS OF HOLE CUT-OUT. Measurements are ±1/2" and are subject to change without notice. Data herein supersedes all previous prior to publication date indicated below.