

Double Robe Hook

13-13

Features

- Solid brass construction
- Complements Astor product series

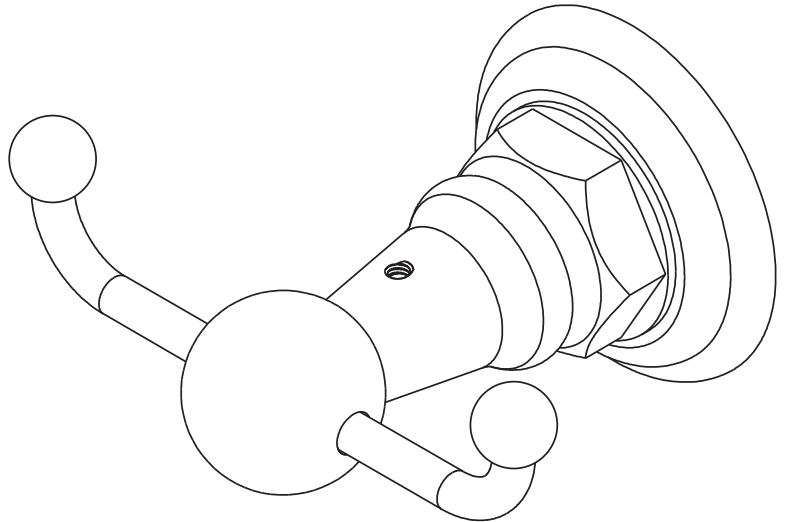
Codes / Standards Compliance

Meets or exceeds the following at date of manufacture:

- All applicable US Federal and State material regulations

Colors / Finishes

- 15: Polished Nickel
- 15S: Satin Nickel
- 26: Polished Chrome
- 10B: Oil Rubbed Bronze
- Other: Refer to the Newport Brass catalog for additional color/finish options.



Specified Model

Model	Description	Colors Finishes
13-13	Double Robe Hook	<input type="checkbox"/> 15 <input type="checkbox"/> 15S <input type="checkbox"/> 26 <input type="checkbox"/> 10B <input type="checkbox"/> Other

Product Specification: Add "Color / Finish" Suffix to Model Number Below.

The Double Robe Hook shall be made of solid brass construction. Double Robe Hook shall complement Newport Brass Astor product series. Double Robe Hook shall be Newport Brass Model 13-13/_____.

13-13

Product Dimensions *(units are in inches)*

