

**BALLARD
58" CAST IRON
ROLL TOP TUB**

Cat. No.
CTRH58



L: 58"
W: 30 1/2"
H: 22 3/4" (from floor to top of tub)

Depth: 11" to overflow

The following is recommended for CTRH58 tubs with faucet holes:

- Tub wall-mounted faucets or hand-held showers: part# **4022, 4025, 4035**
- Tub wall-mounted faucets for use with risers: part# **4001, 4013, 4023, 4030, 4031**
- Double offset bath supplies: part #**5576**
- Leg tub drain: part #**5599**
- Complete shower unit: part# **4124, 4143**

Gallon Capacity:	35
Shipping Weight:	426 lbs.
Empty Weight:	246 lbs.
Filled Weight:	538 lbs.

Features:

- ▶ Inside finish is white enamel
- ▶ Ball and claw feet available in 6 finishes
- ▶ Tub exterior is white (epoxy)
- ▶ 3 3/8" centers in tub wall
- ▶ Feet are attached and leveled before shipment
- ▶ Tub is thoroughly inspected before shipment

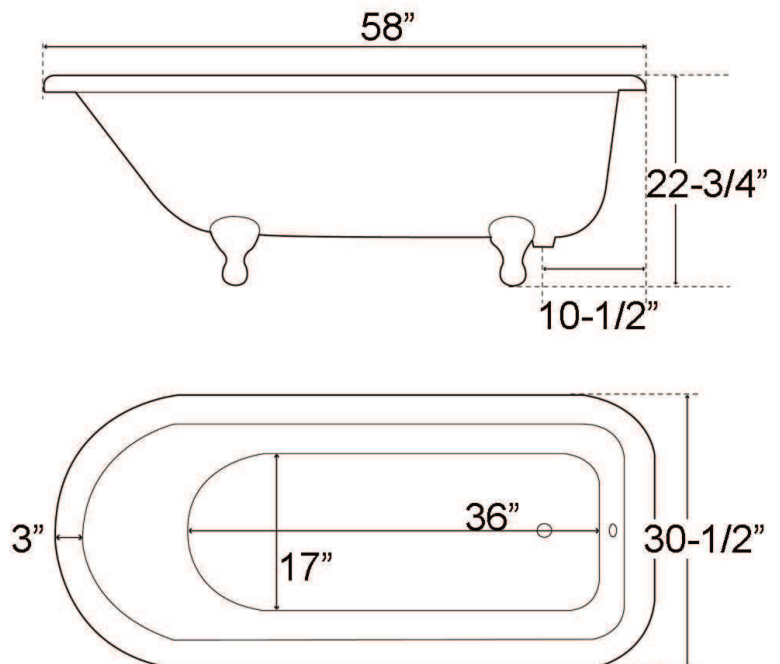
Foot Finishes:

BP Polished Brass	SN Brushed Nickel
CP Polished Chrome	WH White
PN Polished Nickel	ORB Oil-rubbed Bronze

Extra Paint Charge (inside of tub is always white enamel):

Bisque Paint - \$160	Black Paint - \$160
-----------------------------	----------------------------

Bathtubs painted in bisque or black are considered "special order" and are not returnable.



Dimensions of fixture are nominal and may vary within the range of tolerances established by ANSI Standard A112.19.2. Dimensions and specifications subject to change without notice.