



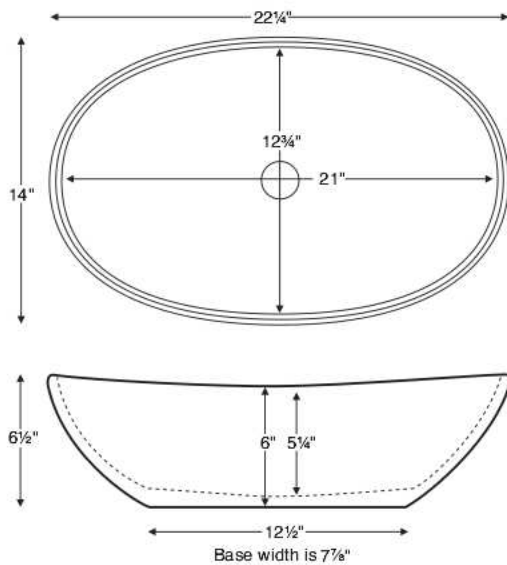
## Elise

Part # - MTCS-715

22.25" x 14" x 6.5"

**Installation:** vessel-style

**Lead Time - 10 Business Days**



### PRICING AND OPTIONS

Part # MTCS-715 \$895

**STANDARD COLORS / FINISH** - White or Biscuit; matte finish

**OPTIONAL COLORS / FINISH** - White or Biscuit; gloss finish **Add \$169**

*Other colors available for projects only. Please call MTI.*

#### OPTIONS

**Quick Ship/Priority.** Call for availability.(QUISINKSH) \$85

### CONSTRUCTION AND STANDARD FEATURES

- Single-bowl design; 1.75" drain opening.
- Sink has no overflow. Requires vessel-style drain kit without overflow. Check local codes.
- One-piece construction.
- Constructed using MTI's Engineered Solid Stone™ (ESS) material, which is a mixture of ground natural materials and binding agents that are liquefied, poured and then hardened.
- Approximately 60% of the material is organic, including minerals mined from the earth, making it "Green".
- Same material and color all the way through, with minor variations due to use of natural minerals.
- Durable, non-porous material is easy to clean.
- Stain, mold and mildew-resistant.
- 5-year Limited Residential Warranty.
- Shipping weight: 26 lbs.

*NOTE: Sink rests on top of counter. Cut-out for the drain installation is required. Measurements are ±1/2" and are subject to change without notice. Data herein supersedes all previous prior to publication date indicated below.*