

# Sublime 66

Product code : **SU6634**

Draft revision : **20121012073407**

External dimensions : **66" x 34" x 21" [167,6 cm x 86,4 cm x 53,3 cm]**

Series : **deck mount**

Seats : **1**

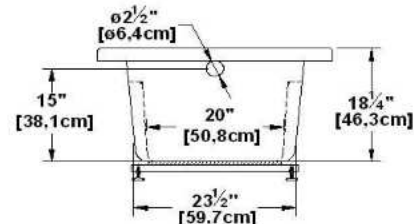
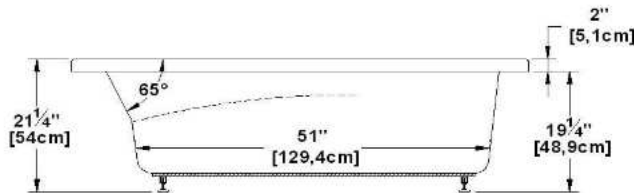
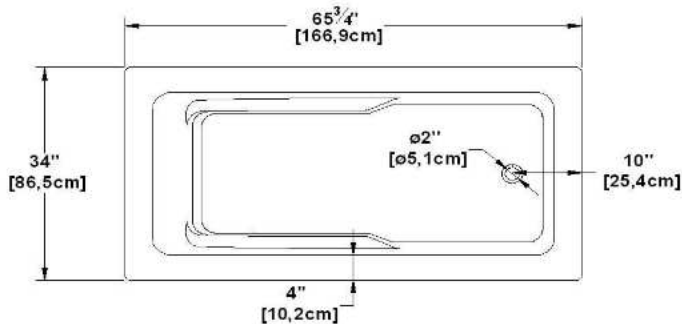
2012 catalog page : **33**

Lumbar support : **yes**

Arm rests : **yes**

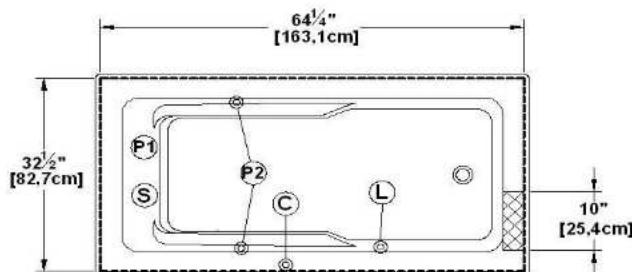
Low-profile available : **yes**

## Draft and specs



**WARNING :** If this bath is multiple ordered nested, its height will be about 1-1/2" (1 inch and a half) lower and will not have adjustable feet.

## Options and installation



accessories and decorative lines positions are approximative

Additional(s) note(s) :

Keypad supplied but not installed when ordered with tile flanges or remote control.

\*It is possible that faucets may be installed elsewhere on the product. Verify, directly on the product, that there are no conflicting parts before drilling.

**IMPORTANT NOTE :** Specifications, dimensions and models are subject to change.

Visit our website <http://www.oceania-attitude.com> to access up-to-date dimensions and informations. In all cases, information on the website is the most up-to-date. Dimensions may vary slightly. To ensure proper fit, measurements must be taken on the product directly.

### Specifications

Capacity : **45 IMP Gal. / 58,7 US Gal. / 204,6 liters**  
 AeroMassage™ : **48 Easy Clean™ air jets**  
 Super AeroMassage™ : **AeroMassage™ + 12 Easy Clean™ air jets**  
 Dynamic Turbo™ : **4 Confort Pulse jets / 4 Confort Swirl jets**  
 Comfort Air™ : **48 Easy Clean™ air jets**  
 Characteristics : **n/a**

### Remarks

\*all measures have a precision of ± 1/4" (0,63cm)  
 \*internal dimensions taken at 4" (10cm) from bath bottom  
 \*capacity is measured by filling the soaker to 1-1/2" under the overflow  
 \*textured skirt available on all Freestanding products  
 \*shelf height is 3/4" on all "low-profile" models

### Legend

Ⓢ Blower      Ⓛ Chromatherapy light  
 Ⓟ Pump      Ⓟ Grab bar      Ⓚ Keypad

⊗ Recommended faucets drilling location\*

Deck cut-out line - - - - -

### Available models

Model	Availability
Soaker alone	✓
Comfort Air™	✓
AeroMassage™	✓
Super AeroMassage™	✓
Dynamic Turbo™ (not available in the U.S.)	✓
Dynamic Turbo™ + AeroMassage™	✓
Dynamic Turbo™ + Super AeroMassage™	✓

### Available recommended options

Front skirt : **SP66**  
 Recommended drain : **WOCO14 (chrome finish)**  
 tile flanges : **available**  
 Floating controller : **available**

### Head office

591, avenue des Entreprises  
 Thetford Mines, Quebec  
 CANADA G6H 4B2

### Phone numbers

No-charge : 1-877-332-4224  
 Fax : 1-866-460-4334

### Internet

Web : <http://www.oceania-attitude.com>  
 Email : [info@oceaniabaths.com](mailto:info@oceaniabaths.com)