

Category: **Stainless Steel 16ga - Kitchen sink**

MODEL: **033 102**

Type: **Undermount single bowl**

Product Name: **Essence - Large**

FEATURES:

- Made with recycled stainless steel
- 16 ga material thickness
- Corrosion resistant 304 series stainless steel (18/10)
- Perfect match with your appliance finish (no.4 brushed finish)
- Highly efficient sound deadening pads
- Traditional aspect with classic look. Smooth and elegant curve give a sophisticated touch to your decor.
- Center 3-1/2" drain placement
- Limited lifetime warranty

STANDARDS COMPLIANCE:

- ASME A112.19.3
- CSA B45.0-02
- CSA B45.4-02

OPTIONAL ACCESSORIES:

- Grid #20194
- Colander #N/A
- Cutting board #N/A

WARRANTY:

Julien inc. offers a LIMITED LIFETIME WARRANTY on the fix components of its stainless steel sinks against defects of material and workmanship. For further details on our product warranty, please refer to our catalog or Web site.

PRODUCT SPECIFICATIONS:

Sink type to be undermount single bowl. Sink to be made from 16 ga stainless steel having 18/10 chrome/nickel content and a no.4 brushed finish. Sink to feature, center 3 1/2" drain placement and sound deadening pads. Sink to feature smooth soft rounded design. Sink overall dimensions to be 31 1/2" left-to-right and 18 1/4" front-to-back. Bowl dimensions to be 29 1/2" left-to-right and 16 1/8" front-to-back. Sink to be Julien Builder Series collection model 033 102 with bowl depth of 9".

PROJECT/JOB INFORMATION:

Project/Job name: _____

Specifier: _____

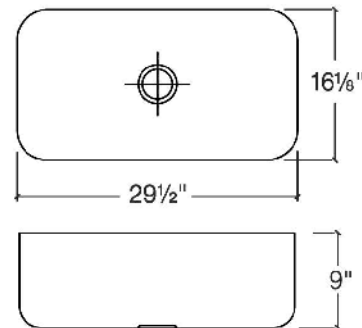
Contractor: _____



SINK DIMENSIONS:

Model	Overall	Bowl (s)	Depth	Recommended Cabinet size
033 102	31 1/2 x 18 1/4	29 1/2 x 16 1/8	9	36

- All dimensions are in inches
- Cutout template supplied with every sink and available on our web site



This specification is subject to change without notice. Julien assumes no responsibility for the use of superseded or voided specifications.