

Date:

Client:

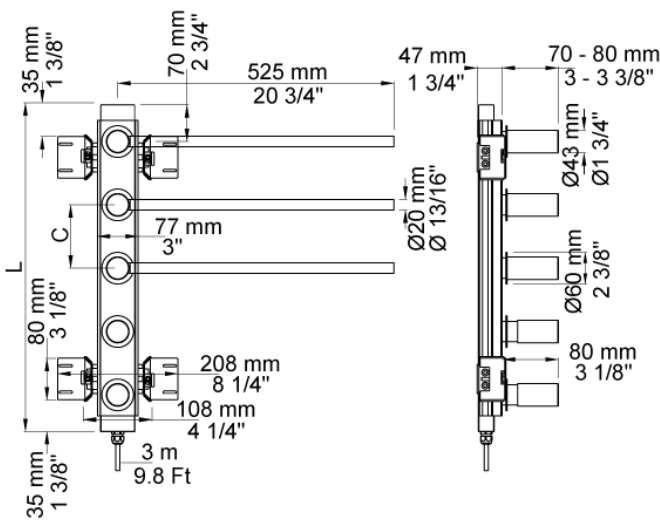
Project:

VOLA product: T39ELUS



T39ELUS

Towel warmer – electric 120V.
 VOLA build-in modular heated towel rail for individual design solutions. A modular system of bars to be positioned according to customer requirements. Height between 500 and 2100 mm.
 Individual number of bars with centre distance between 100 and 300 mm.
 With step-less temperature regulation between 20 and 50 degrees C. (68oF - 122o).
 Self-closing timer setting after two hours at full power (50 degrees C) (122oF)
 Two handles, one for on/off, one for temperature regulation.
 Power consumption: 10W per bar. (34.1 BTU/hr).
 Supplied with 3 metres of Rodent proof cable.
 (for build-in part).
 Must be installed by a qualified electrician



Available in colours

- Color 02, Grey
- Color 04, Light blue
- Color 05, Orange
- Color 06, Light green
- Color 08, Yellow
- Color 09, Dark grey
- Color 12, Mocca
- Color 14, Bright red
- Color 15, Dark blue
- Color 16, Polished chrome
- Color 17, Gloss black
- Color 18, White
- Color 19, Natural brass
- Color 20, Brushed chrome
- Color 21, Carmine red
- Color 25, Pink
- Color 27, Matt black
- Color 40, Brushed stainless steel

