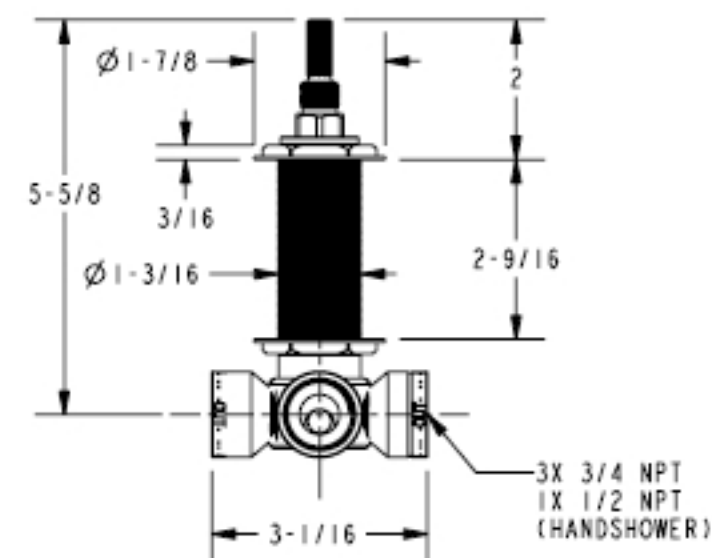
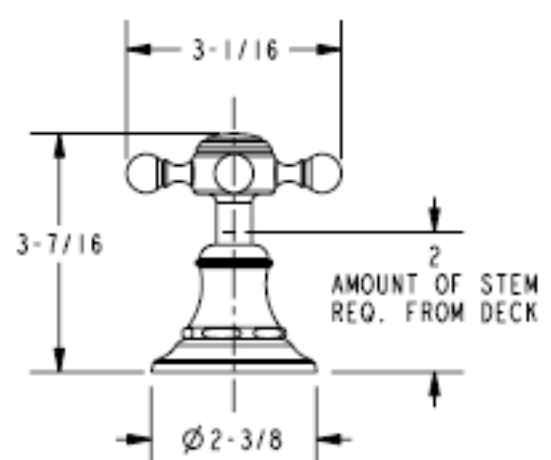
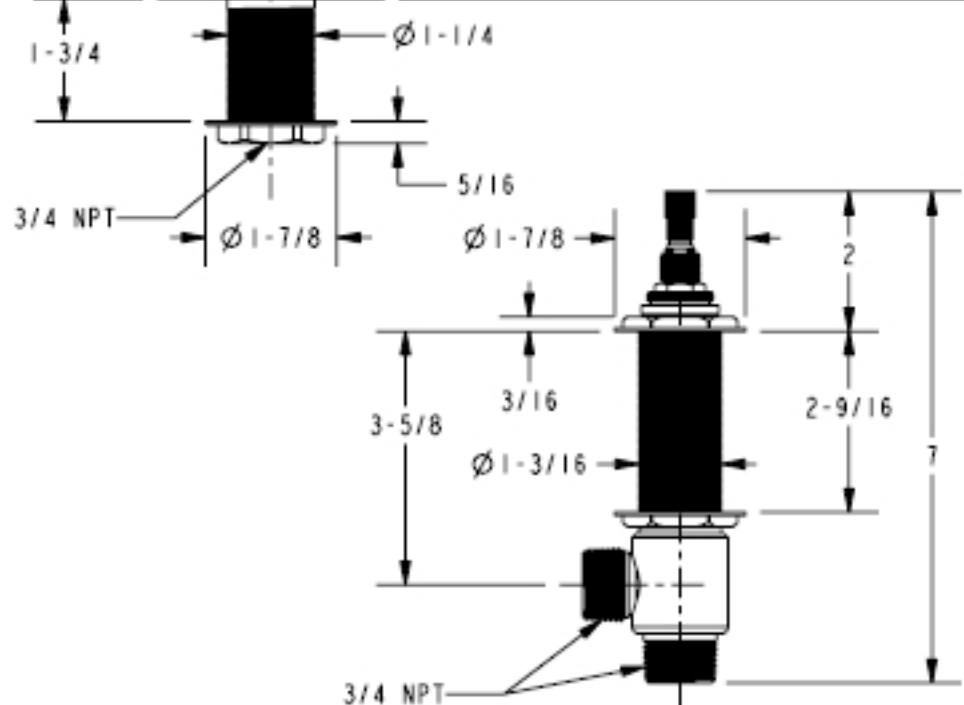
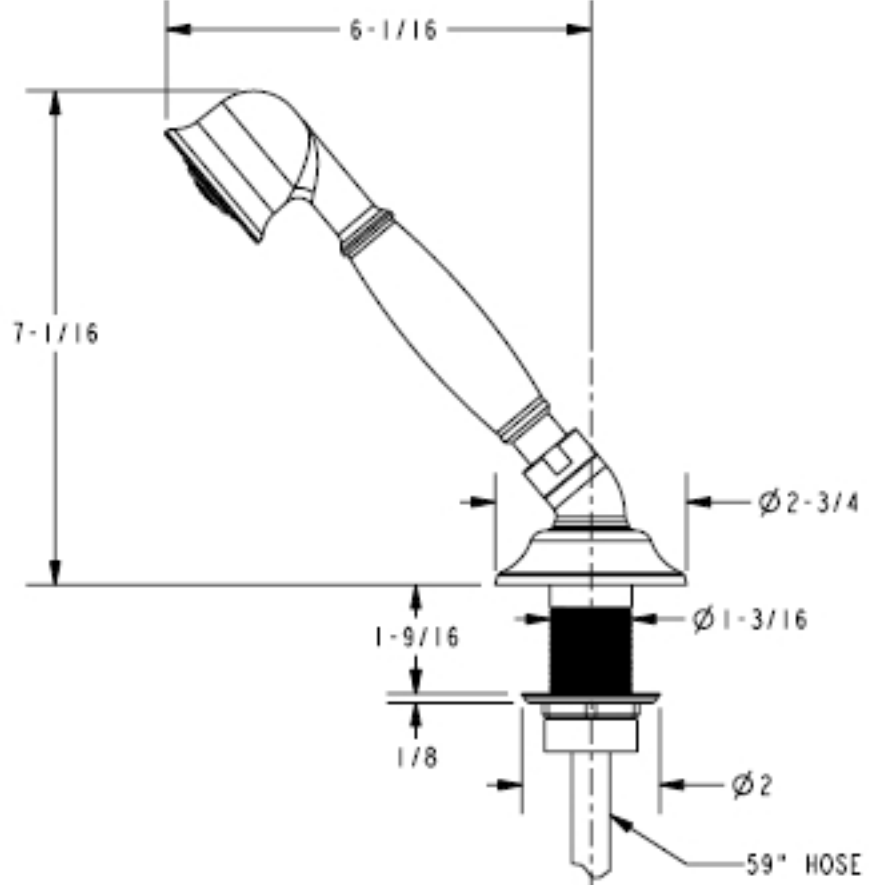
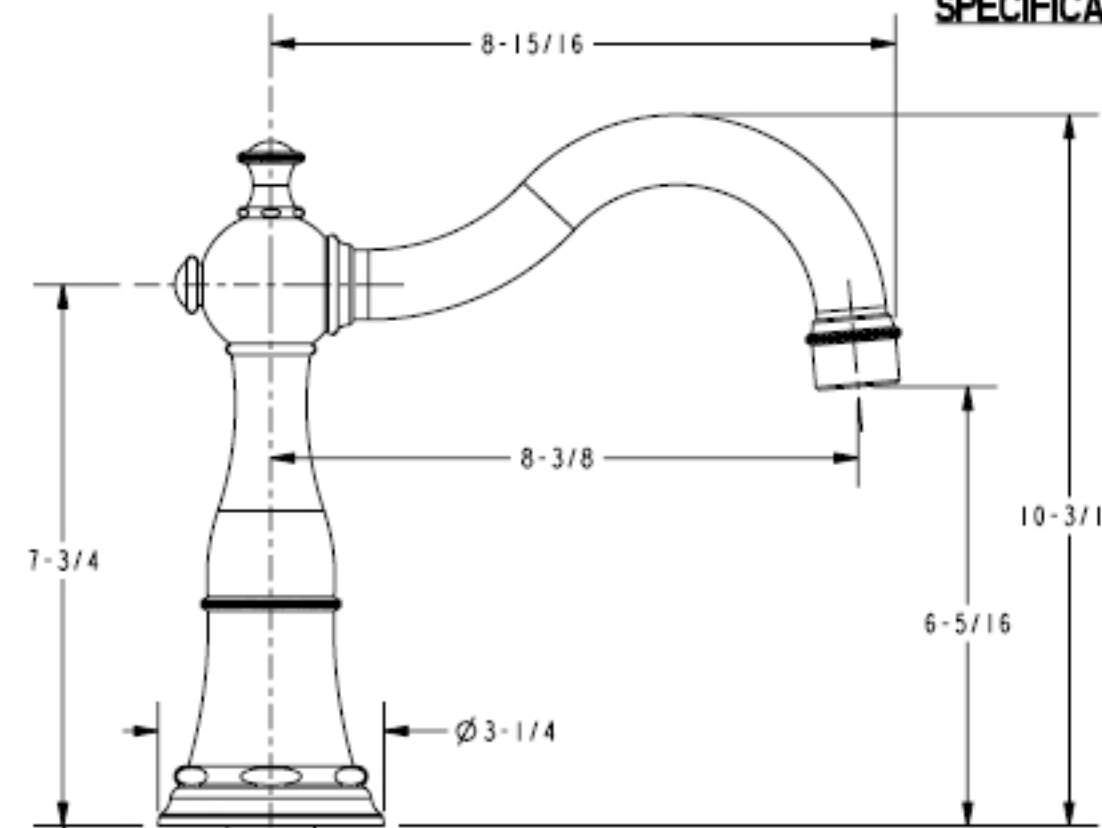


SPECIFICATION DWG



3X 3/4 NPT
1X 1/2 NPT
(HANDSHOWER)

ALL DIMENSIONS ARE IN INCHES AND AN APPROXIMATION OF A TYPICAL INSTALLATION

BRASSTECH INCORPORATED
 2001 E. CARNEGIE AVE.
 SANTA ANA, CA 92705
 (949) 417-5207

DWG NO. 1767

REV