

FEATURES:

- Forged brass construction.
- Thermostatic valve cartridge: 18.30.082
- Screw driver spring check valve: (2) 18.30.181
- 14.5 GPM @ 45PSI (9.5 top exit)
- Meets: ASME A112.18.1-2005/CSAB125.1-2005

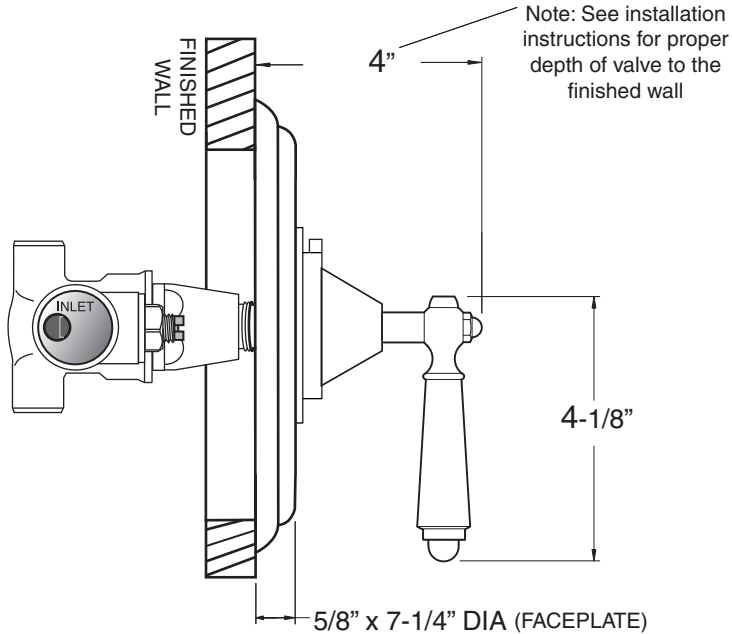
Note: Separate shut-offs required to operate system.

1/2" Thermostatic

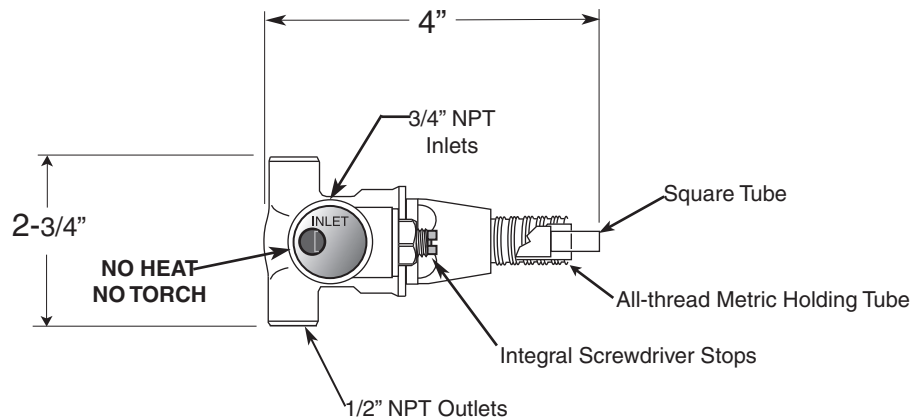
No Volume Control
Valve & Trim
1.005796.V0
Orleans Handle
(Ceramic lever)

(1.005796.V0T Trim Only)

SIDE VIEW - INSTALLED



SIDE VIEW - VALVE ONLY



Note: Measurements are subject to change or cancellation. No responsibility is assumed for use of superseded or voided pages.

Parts List
Orleans
(Porcelain Lever)
1/2" Thermostatic
No Volume Control

NOTE: Separate shut-off's required to operate system.

