

SPECIFICATIONS

PARMA™ TWO HANDLE WIDESPREAD LAVATORY FAUCET

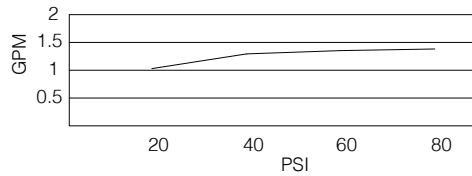
Model

D304058 (Replaces D305458 series)

Description

- Ceramic disc valves
- 3" spout height, 5" spout length, laminar flow
- With metal touch-down drain assembly
- 3 hole mount, 6" - 12" installation
- A112.18.1M, 1.5 gpm (5.7 LPM) maximum flow rate @ 20 - 80 psi

Flow Rate



Standards



Certified to NSF/ANSI 61 Section 5

- NSF 61-9
- Energy Policy Act of 1992



NSF/ANSI 372

- ASME A112.18.1M/A112.18.1
- NSF/ANSI 372



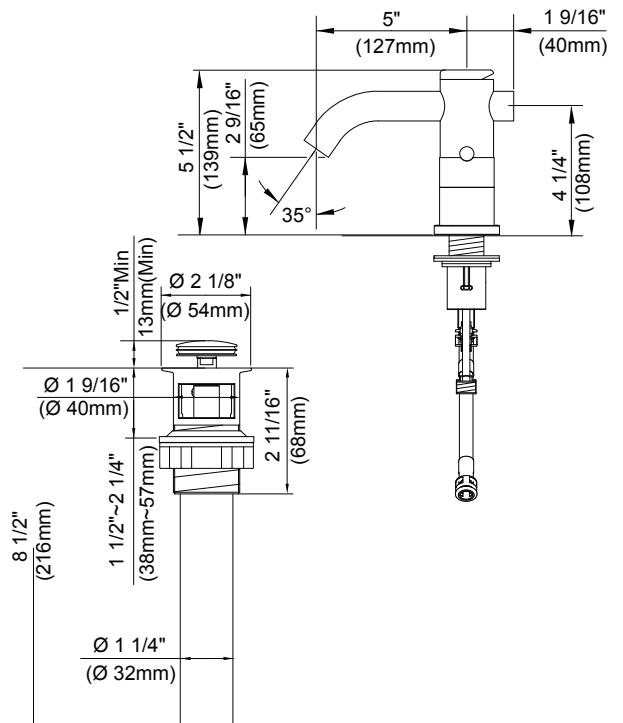
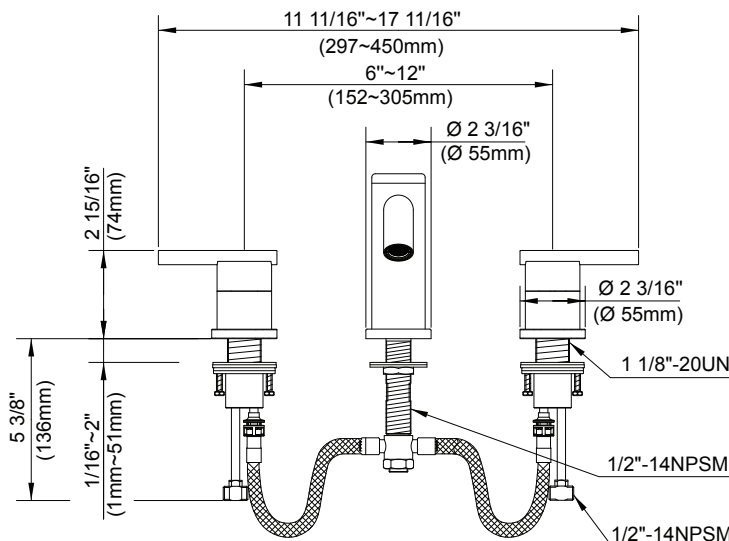
- ADA Accessibility Guidelines for Buildings and Facilities - 4.27.4 Controls and Mechanisms

Warranty

Danze products are covered by a manufacturer's limited "lifetime" warranty for manufacturing defects.

Finishes Available

- Chrome
- Other: Refer to Price List for additional finish



Submittal Information:

Job Name: _____
 Contractor: _____

Location: _____
 Contact #: _____