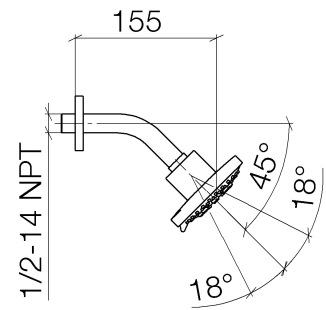
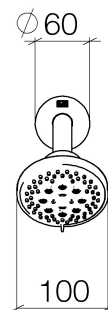




Product specifications

- Three spray patterns (normal jet, soft jet, massage jet)
- $\text{Ø } 3 \frac{7}{8}$ "
- Flange $\text{Ø } 2 \frac{3}{8}$ "
- Descaling system
- Water flow rate limited to max. 2 gpm
- 1/2" connection
- swivels 18°



Surfaces

- chrome 28505979-00
- matt platinum 28505979-06

