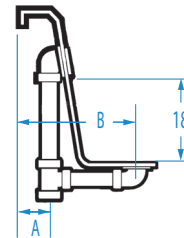
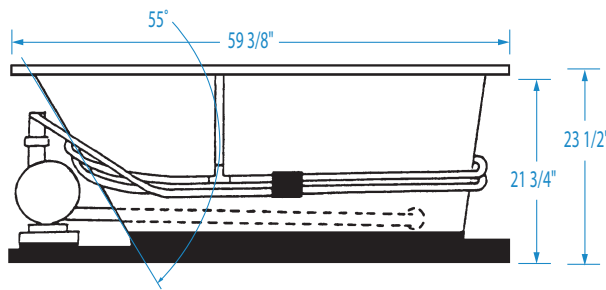
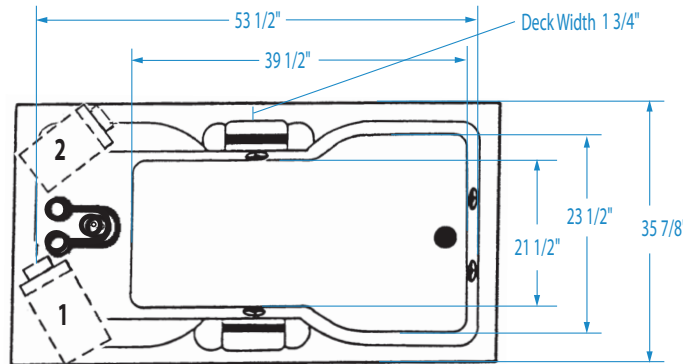


SUNSET

59 3/8 x 35 7/8 x 23 1/2 (1510 x 915 x 595)
inches (mm)



Note: For Air-whirlpool, no alternate pump/blower location available.



FEATURES lbs (kg) Dimensional Tolerance ± 3/8". Dimensions needed for site preparation should be measured from the unit. Aquatic assumes no responsibility for preparatory work.

Type and Model #	Material	Jets	Pump	Air System	Blower	Heater	Controls	Drain	Pkg. Wt.
Whirlpool #A16036R	Acrylic	7	1.75 HP	—	—	1.5 kw Inline (optional)	Electronic	Universal	196 (89)
Air-Whirlpool #A130LUX6036	Acrylic	7	1.75 HP	Channel	Variable speed	1.5 kw Inline	Electronic	Universal	251 (114)

DIMENSIONS inches (mm)

Width Overall / Net	Depth Overall / Net	Height Overall / Net	Skirt Height
59 3/8 (1510)	35 7/8 (915)	23 1/2 (595) / 21 3/4 (550)	—

SUMP DATA inches (mm)

Capacity to Overflow gal (ltr)	Min. Operating Capacity gal (ltr)	WIDTH @ centerline		DEPTH @ centerline	
		Top	Bottom	Top	Bottom
75 (280)	56 (212)	53 1/2 (1360)	39 1/2 (1005)	23 1/2 (595)	21 1/2 (545)

PLUMBING DIMENSIONS inches (mm)

A	B	Drain Diameter / Clearance
3 7/8 (100)	12 1/4 (310)	2 (50) / 3/4 (20)

NOTES:

1) Where applicable, utilize cut-out templates packed with unit for deck cutouts.

2) 16 x 16 (405 x 405) minimum access required at pump/blower location(s).

ELECTRICAL DATA

Component	Specification	Requirement
Pump	1.75 HP; 12 AMP; 120V	15 AMP; 120V, separate circuit; Class A GFCI
Optional Heater	1.5 kW; 12 AMP; 120V	15 AMP; 120V, separate circuit; Class A GFCI
Blower	1.0 HP; 9.5 AMP; 120V	15 AMP; 120V, separate circuit; Class A GFCI

NOTE:

1) This whirlpool must be hard wired to the breaker box. Three outlets will be supplied on the air-whirlpool.