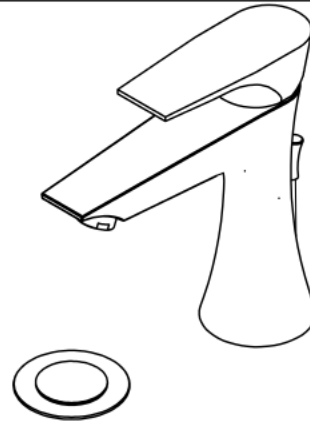




### Features

- Over 30 finishes including 14 PVD finishes
- Solid brass construction
- Single handle operation carriage w/ ceramic disc
- Flexible connection for easy installation
- 4 3/16" spout reach
- Maximum flow rate: 1.5 gpm (5.7 L/m)
- For additional product offerings, see [www.californiafaucets.com](http://www.californiafaucets.com)

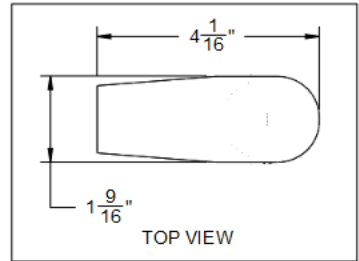
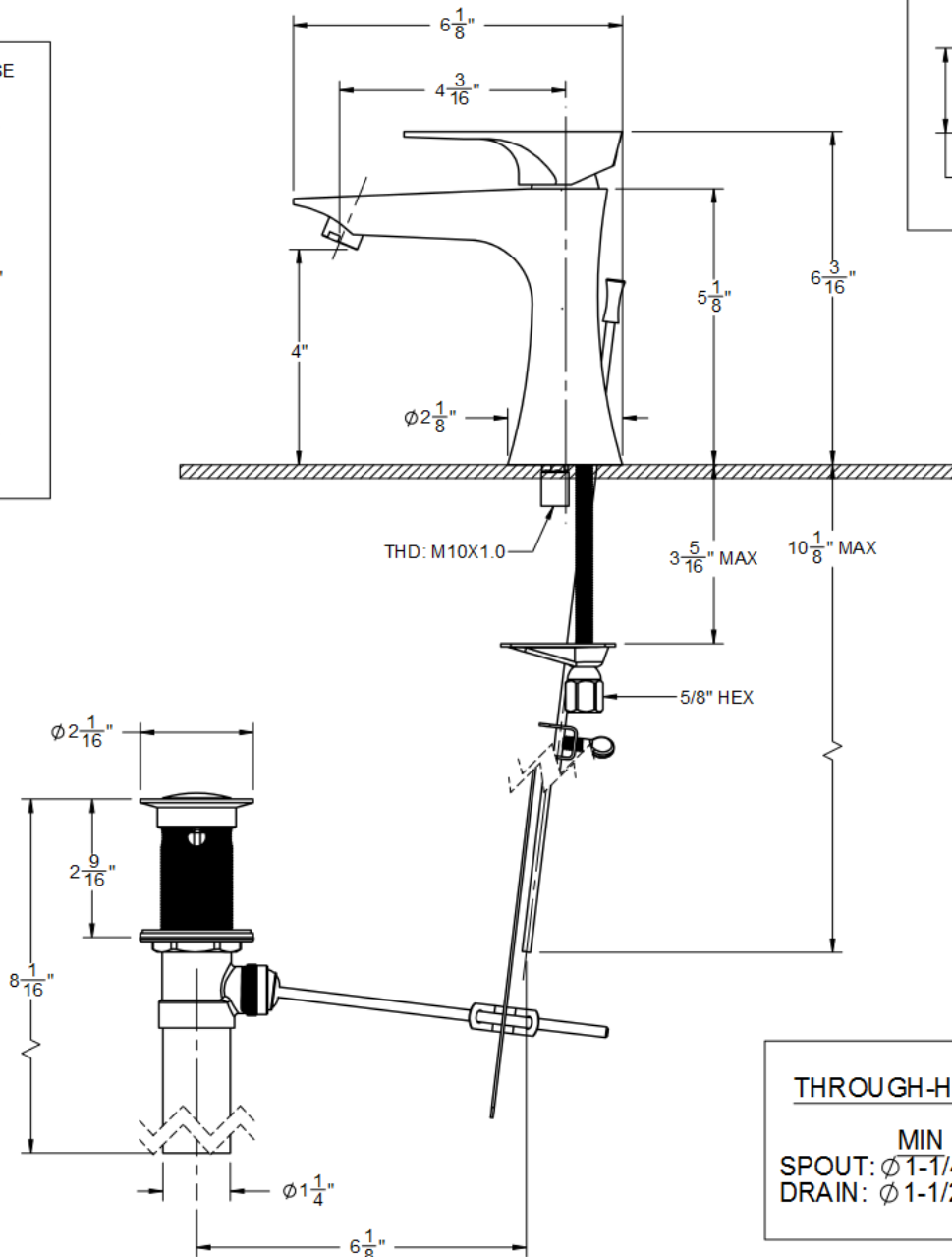
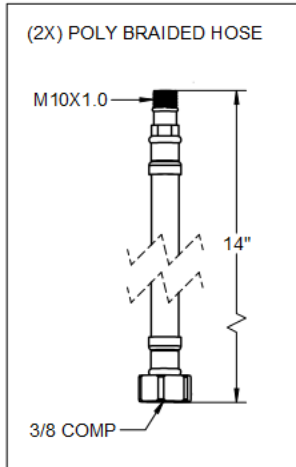
# E201-1



### Codes/Standards Applicable

Meets or exceeds the following at date of manufacture:

- ASME A112.18.1/CSA B125.1
- NSF 61 and CA/VT lead plumbing law



THROUGH-HOLE SPECIFICATIONS		
	MIN	RECOMENDED
SPOUT:	∅1-1/4"	∅1-3/8"
DRAIN:	∅1-1/2"	∅1-3/4"

ALL DIMENSIONS SHOWN TO NEAREST 1/16"