

FEATURES:

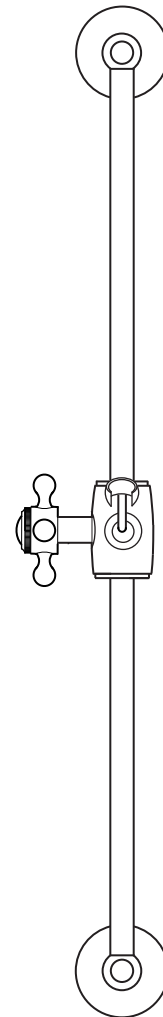
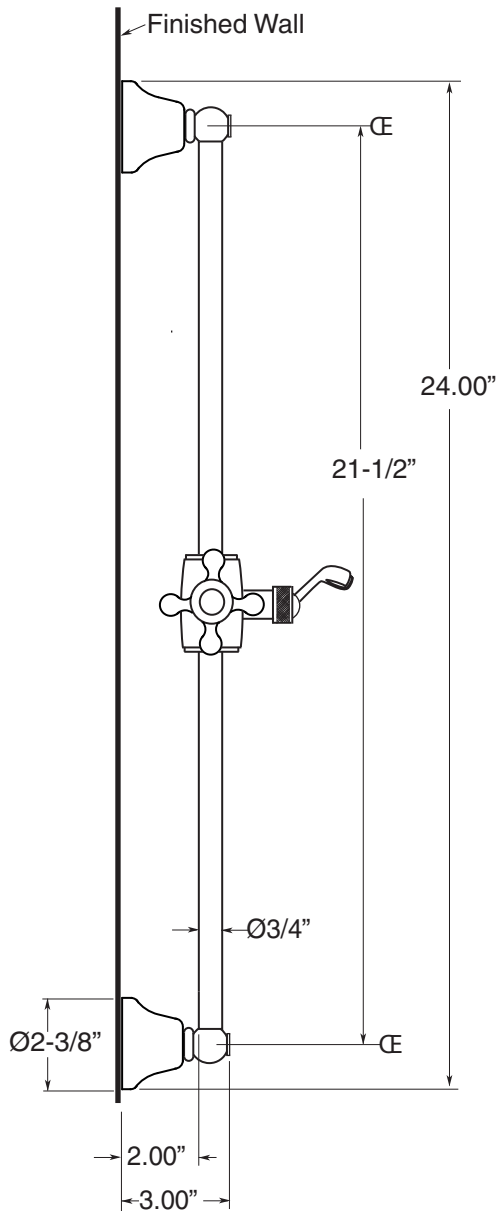
- All brass construction
- Available in all Sigma finishes
- Mounting hardware included
- Meets: ASME A112.18.1-2005 / CSAB 125.1-2005

Specifications

Slide Bar

Traditional Slidebar

18.10.021



Note: Measurements are subject to change or cancellation. No responsibility is assumed for use of superseded or voided pages.