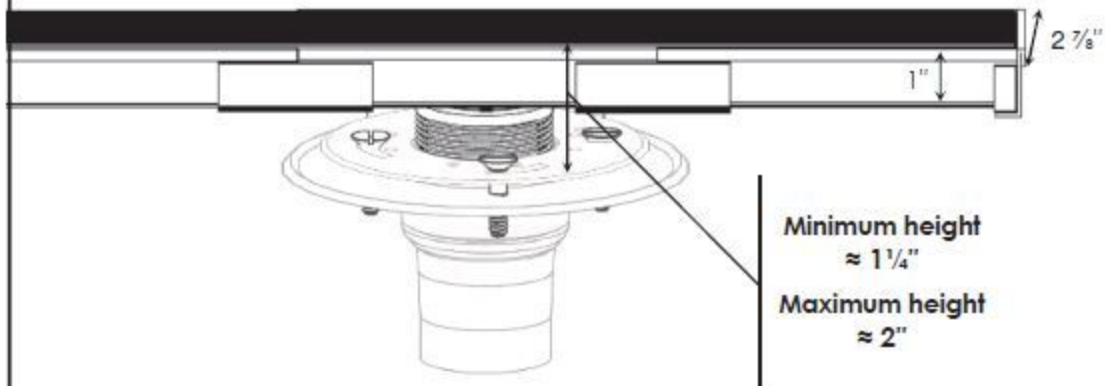


(overall dimensions includes channel)

Grate lengths $35\frac{1}{2}$ ", $47\frac{1}{2}$ ", and $59\frac{1}{2}$ "
(Add multiples for longer lengths)



Minimum height
 $\approx 1\frac{1}{4}$ "
Maximum height
 ≈ 2 "

Clamp down drain is not supplied by Infinity Drain