



KITCHEN FAUCET

Single Control Commercial Style
Spring Faucet with Spray
542PC, 542XSN

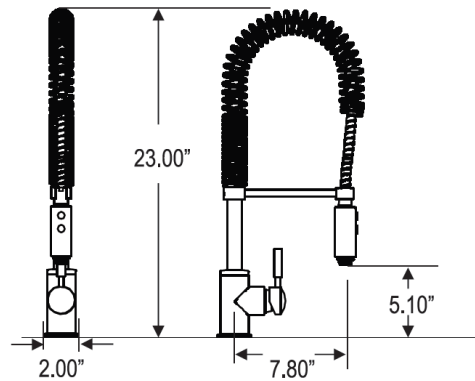


Codes and Standards

- ASME A112.18.1/CSA B125.1-11
- ADA FOR LEVER HANDLES

WARRANTY

All Finishes are warranted from tarnishing, flaking, pitting, and discoloration, for as long as the original purchaser owns the product. (Details in price book)



ALTMANS RESERVES THE RIGHT TO MODIFY AND CHANGE SPECIFICATIONS AT ANY TIME. PLEASE VERIFY DIMENSIONS PRIOR TO INSTALLATION

Features and Benefits

- Brass Construction
- Single Control Ceramic Disc Cartridge
- Flexible Spring and Hose
- Regular or Spray settings
- 1/2"-14 NPSM connection

Available Finishes:

- Polished Chrome
- PVD Satin Nickel